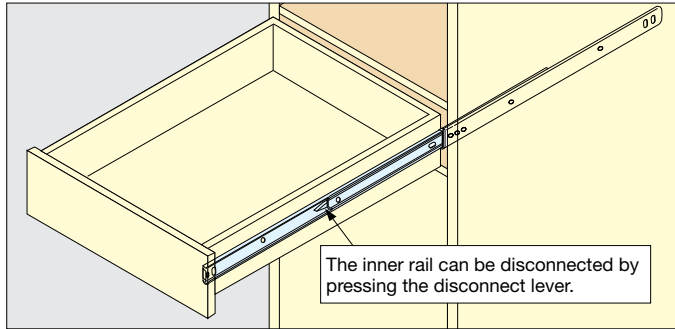


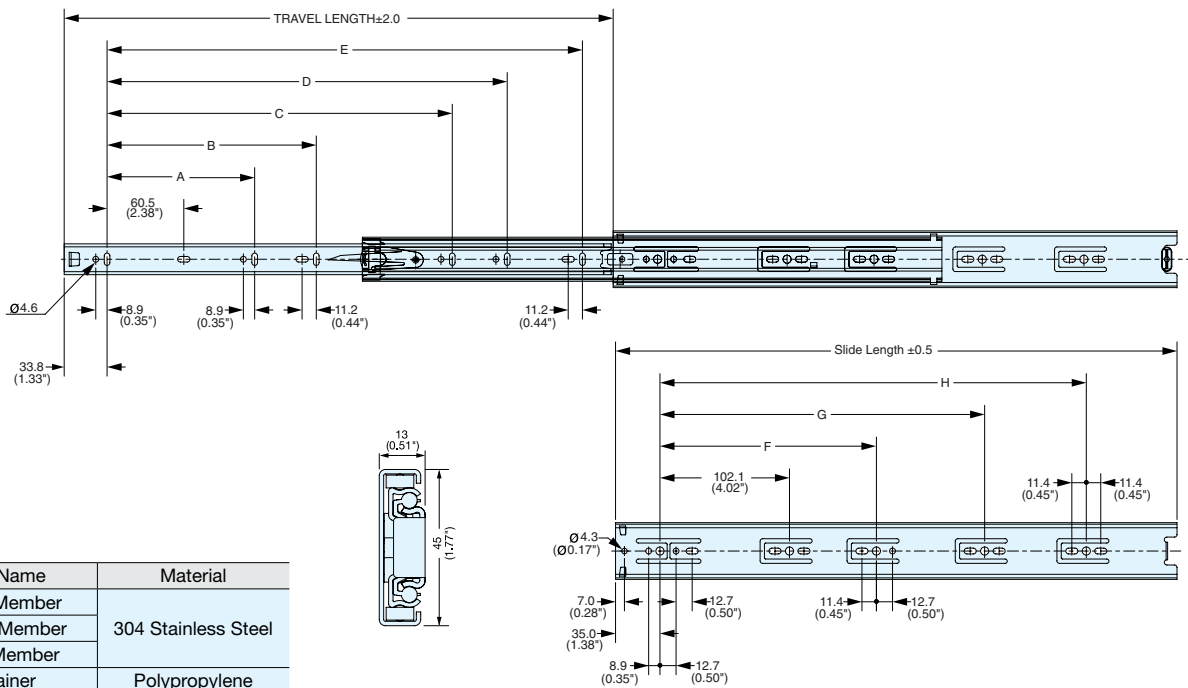
# FULL EXTENSION SLIDE



# ESR-DC4513



- Full extension.
- Front disconnect.
- Positive stop.
- Hold-in detent.
- Non-handed.
- \* Sold in pairs.
- \* Mount with M4 or #8, Binding or Pan head screws.



25.4mm=1"

Part Name	Material
Outer Member	304 Stainless Steel
Middle Member	
Inner Member	
Retainer	Polypropylene
Ball Case	304 Stainless Steel
Stopper (Guide)	Nylon 6
Disconnecter	Nylon 66
Rivet	304 Stainless Steel
Stopper	Urethane
Balls	304 Stainless Steel
Grease	H1 Grade

Item No.	Slide Length	Travel Length	A	B	C	D	E	F	G	H	Load Rating (kg/pair)	Weight (g)	Box (Pair)
ESR-DC4513-8	200 ( 7-7/8" )	200 ( 7-7/8" )	-	-	-	-	142	-	-	-	54 (119 lbs)	447	10
ESR-DC4513-10	250 ( 9-27/32" )	250 ( 9-27/32" )	-	-	-	-	192	-	-	-	52 (115 lbs)	603	
ESR-DC4513-12	300 (11-13/16" )	300 (11-13/16" )	-	-	-	-	242	-	-	-	50 (111 lbs)	754	
ESR-DC4513-14	350 (13-25/32" )	350 (13-25/32" )	-	-	-	-	292	-	-	-	49 (108 lbs)	919	
ESR-DC4513-16	400 ( 15-3/4" )	400 ( 15-3/4" )	-	-	-	-	342	320	-	-	47 (104 lbs)	1064	
ESR-DC4513-18	450 (17-23/32" )	450 (17-23/32" )	-	-	-	-	392	352	-	-	46 (100 lbs)	1228	
ESR-DC4513-20	500 (19-11/16" )	500 (19-11/16" )	-	-	320	-	442	416	-	-	44 (97 lbs)	1373	
ESR-DC4513-22	550 (21-21/32" )	550 (21-21/32" )	128	-	-	416	492	352	448	-	43 (94 lbs)	1528	
ESR-DC4513-24	600 ( 23-5/8" )	600 ( 23-5/8" )	-	-	416	-	542	416	480	-	42 (92 lbs)	1687	
ESR-DC4513-26	650 (25-19/32" )	650 (25-19/32" )	-	224	498	544	592	416	608	-	41 (90 lbs)	1854	
ESR-DC4513-28	700 ( 27-9/16" )	700 ( 27-9/16" )	-	-	416	-	642	416	608	-	40 (87 lbs)	2020	