


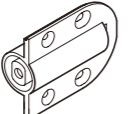
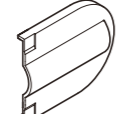

LAMP. HG-JHM20 DAMPER HINGE INSTALLATION INSTRUCTIONS (For wood use.) PAT

Read instructions thoroughly before installation.

Caution :

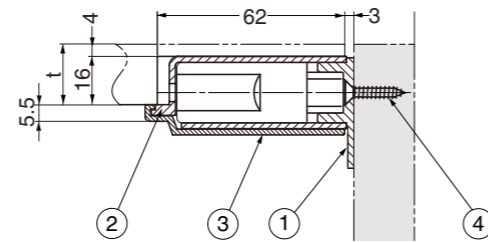
- For indoor use only.
- Not water resistant.
- Do not use in high temperature environment.

PARTS :

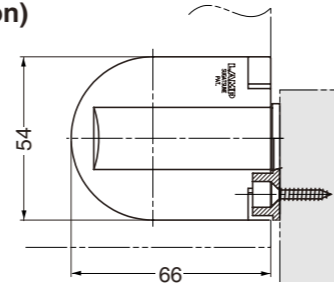
No.	Part Name	Qty.	
①	Mounting Plate	L/R 1 each	
②	Damper Bracket	L/R 1 each	
③	Cover	2	
④	Screw (4x20)	12	

Installation Diagram

(Lid, closed position)



(Lid, 90° open position)



Item	Cover color	Damper Torque N·cm (kgf·cm)
HG-JHM20-80BL	black	600 ~ 800
HG-JHM20-80WT	white	(61.2 ~ 81.6)

Maximum Torque Moment Calculations

$$T = D/2(D-2A)tW\rho$$

T : Max. Torque Moment t : Lid Thickness
W : Lid Width ρ : Lid Density

D : Lid Length

A : length between posterior end of the lid and rotation center
(A range is from 34 to 38mm)

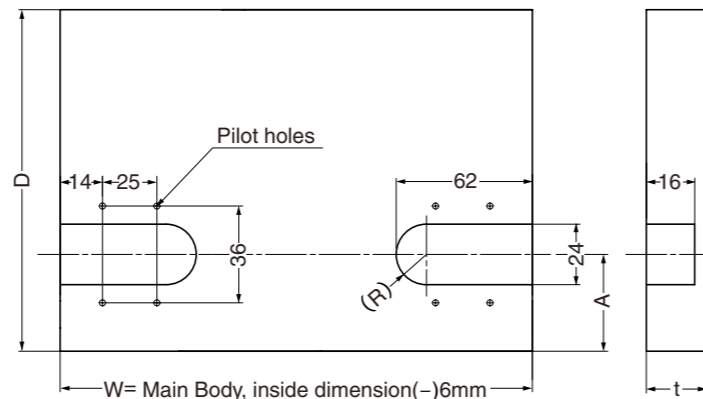
(Example) W=60 cm, D=45 cm, t=2 cm, A=3.6 cm,
ρ=0.8 g/cm³

$$T = 45/2(45-2 \times 3.6) \times 2 \times 60 \times 0.8$$

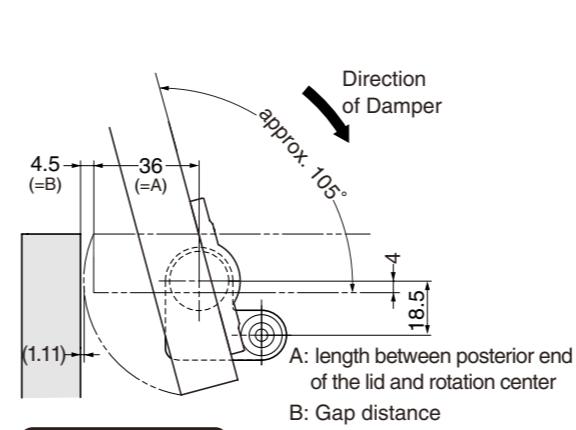
$$= 81.65 \text{ [kgf} \cdot \text{cm]}$$

$$= 800 \text{ [N} \cdot \text{cm]}$$

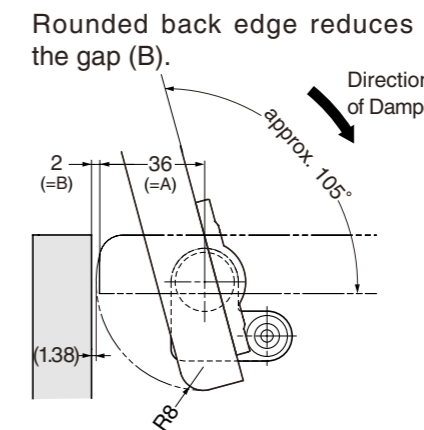
Lid Preparation



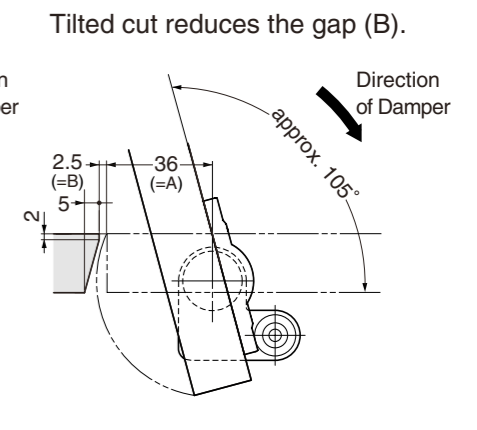
Standard Installation Specifications



Rounded Lid Edge



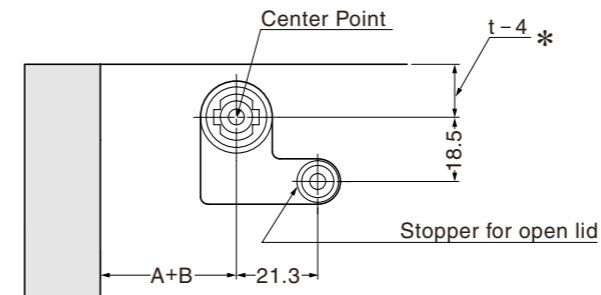
Tilted cut



Installation

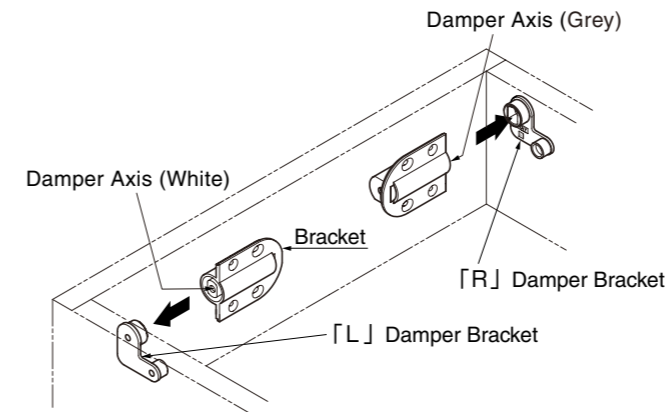
1. Mounting Plate Installation

- (1) Please drill 10mm hole of 2.5mm diameter as shown.
- (2) Fix location of mounting plate ① with provided screws. ④



* : Given dimension when the upper part of lid and side panel are flash.

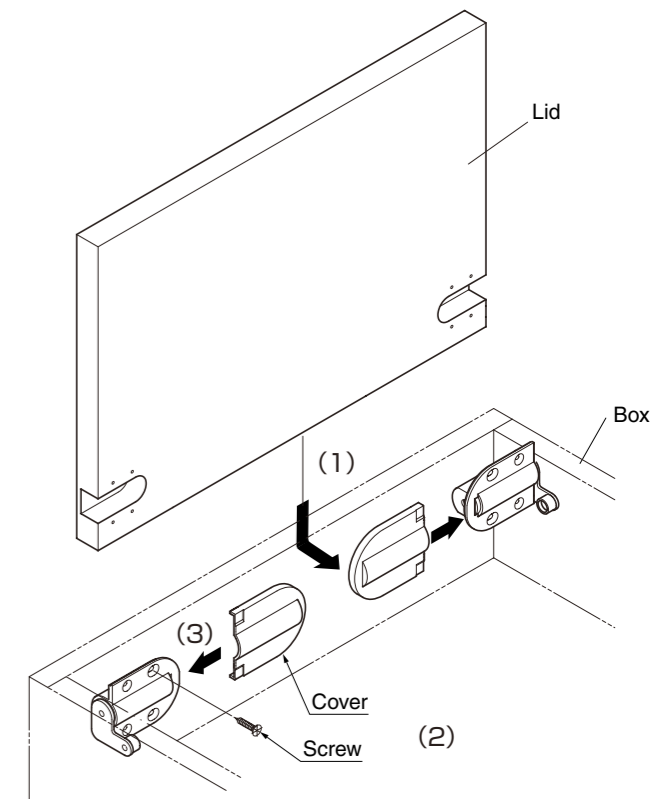
2. Bracket Assembly



Damper Bracket [L] : Damper Axis Color – White
Damper Bracket [R] : Damper Axis Color – Grey

3. Lid and Bracket Cover Installation

- (Refer to diagram below.)
- (1) Insert the lid vertically and mount onto brackets. ②
 - (2) Fix with provided screws. ④
Close and open lid to check working damper.
 - (3) Slide covers onto brackets.



SUGATSUNE KOGYO CO.,LTD.
Phone: +81 (0)3 3866 2260
F a x : +81 (0)3 3866 4447
E-mail: export@sugatsune.co.jp
Website: www.sugatsune-intl.com

SUGATSUNE KOGYO (UK) LTD.
Phone: +44 (0)1491 680737
F a x : +44 (0)1491 680762
E-mail: sales@sugatsune.co.uk
Website: www.sugatsune.co.uk

SUGATSUNE AMERICA, INC.
Phone: +1 310 329 6373
F a x : +1 310 329 0819
E-mail: sales@sugatsune.com
Website: www.sugatsune.com

SUGATSUNE SHANGHAI CO., LTD.
Phone: +86 (0)21 3632 1858
F a x : +86 (0)21 3632 1868
E-mail: lamp@sugatsune.com.cn
Website: www.sugatsune.com.cn

ISO9001(Japan offices only)and ISO14001(Chiba production division and Logistic center only)certified.