

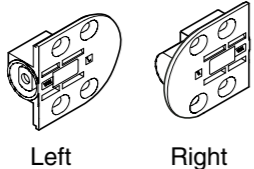
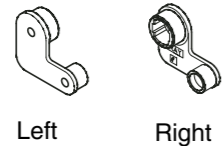
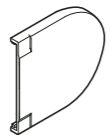

LAMP. HG-JHM16 DAMPER HINGE INSTALLATION INSTRUCTIONS (For wood use.) PAT

Read instructions thoroughly before installation.

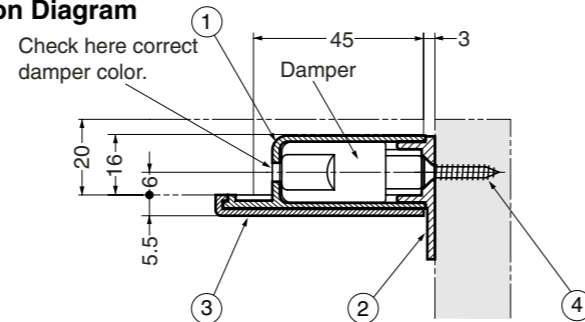
Caution :

- For indoor use only.
- Not water resistant.
- Do not use in high temperature environment.

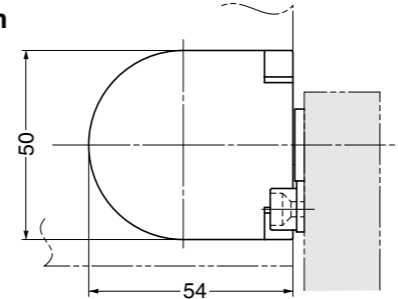
PARTS :

No.	Part Name	Qty.	
①	Damper Bracket (Left, Right)	L/R 1 each	
②	Mounting Plate (Left, Right)	L/R 1 each	
③	Cover	2	
④	Screw (4x20)	12	

Installation Diagram



Installation Diagram (90° open position)



Item	Cover color	Damper Torque N·cm (kgf·cm)	Damper color (bottom)
HG-JHM16-34BL	black	200 ~ 340 (20.4 ~ 34.7)	green
HG-JHM16-34WT	white		
HG-JHM16-50BL	black	340 ~ 500 (34.7 ~ 51.0)	black
HG-JHM16-50WT	white		

Maximum Torque Moment Calculations

$$M = W \times (D - 2 \times A) \times t \times \rho \times D / 2$$

M : Max. Torque Moment

t : Lid Thickness

W : Lid Width

ρ : Lid Density

D : Lid Length

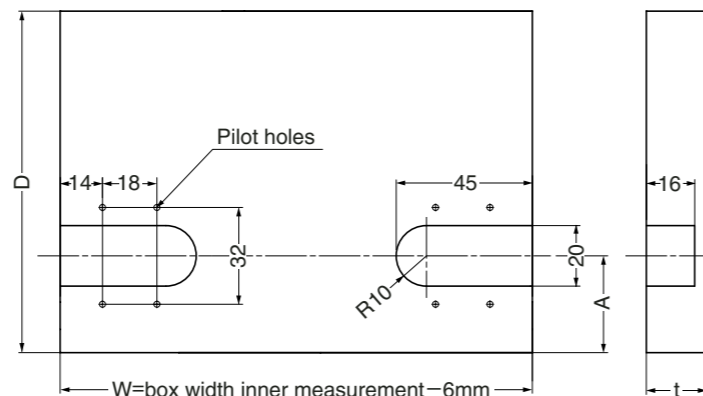
(Example) W=400mm, D=430mm, t=20mm, A=32mm,

$$\rho = 0.8 \text{g/cm}^3$$

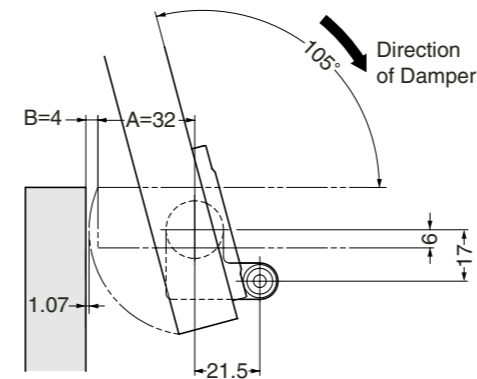
$$M = 400 \times (430 - 2 \times 32) \times 20 / 1000 \times 0.8 \times 430 / 2 / 10$$

$$= 50.4 \text{kgf} \cdot \text{cm}$$

Lid Preparation

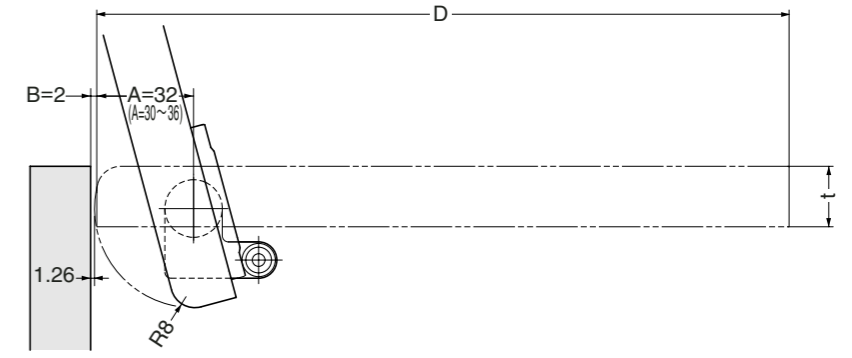


Standard Installation Specifications



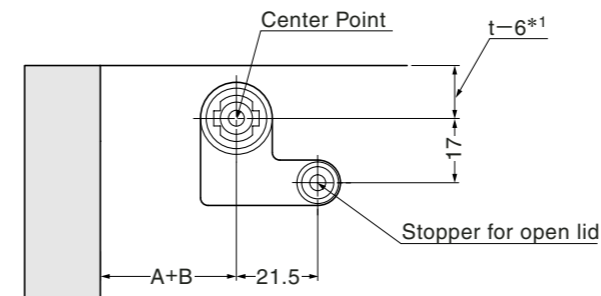
Installation Specifications for Rounded Lid Edge

Round the back edge of the lid to reduce the gap (B).



Installation

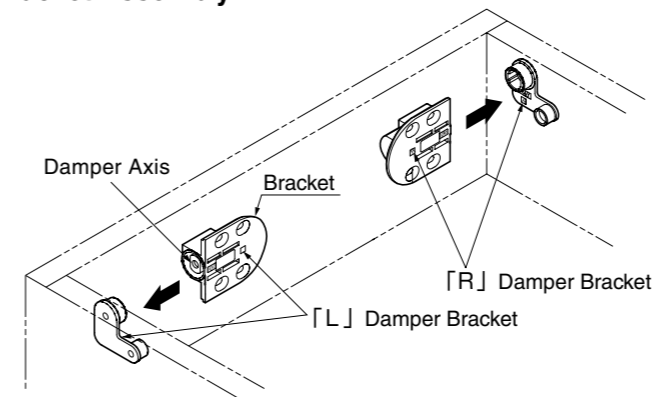
1. Mounting Plate Installation



*1 : Calculate t-6 (Lid thickness-6mm) to locate appropriate depth of Center Point.

Fix location of mounting plate with provided screws.

2. Bracket Assembly



Match and fit Damper Brackets and Mounting Plates Left to Left and Right to Right.

(Refer to diagram above for bracket positions.)

[L] : Damper Axis Color - White

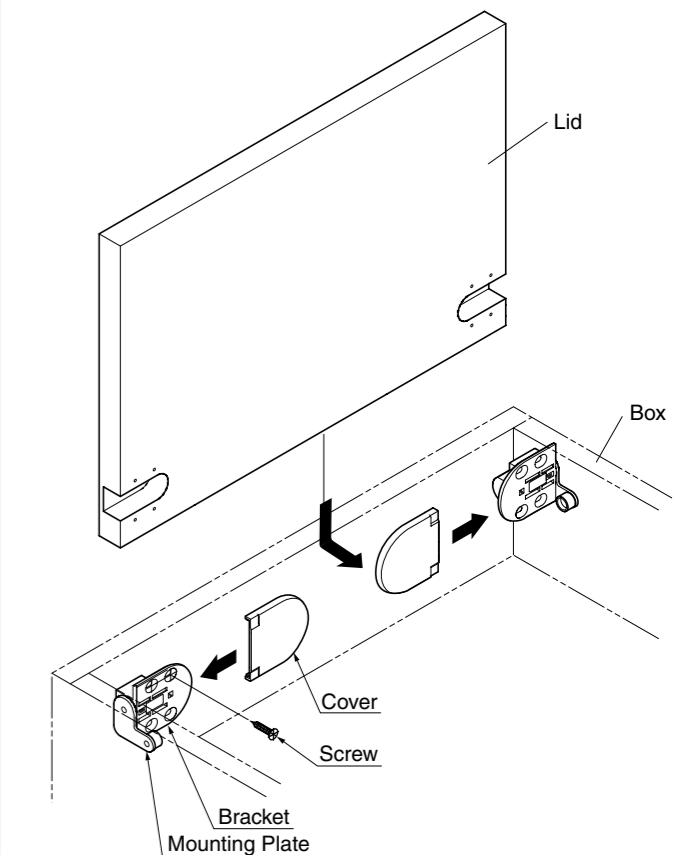
[R] : Damper Axis Color - Grey

3. Lid and Bracket Cover Installation

(Refer to diagram below.)

Insert the lid vertically and mount onto brackets. Stabilize with screws.

Close and open lid to check working damper. Finally, slide covers onto brackets.



SUGATSUNE KOGYO CO.,LTD.
Phone: +81 (0)3 3866 2260
F a x : +81 (0)3 3866 4447
E-mail: export@sugatsune.co.jp
Website: www.sugatsune-intl.com

SUGATSUNE KOGYO (UK) LTD.
Phone: +44 (0)1491 680737
F a x : +44 (0)1491 680762
E-mail: sales@sugatsune.co.uk
Website: www.sugatsune.co.uk

SUGATSUNE AMERICA, INC.
Phone: +1 310 329 6373
F a x : +1 310 329 0819
E-mail: sales@sugatsune.com
Website: www.sugatsune.com

SUGATSUNE SHANGHAI CO., LTD.
Phone: +86 (0)21 3632 1858
F a x : +86 (0)21 3632 1868
E-mail: lamp@sugatsune.com.cn
Website: www.sugatsune.com.cn