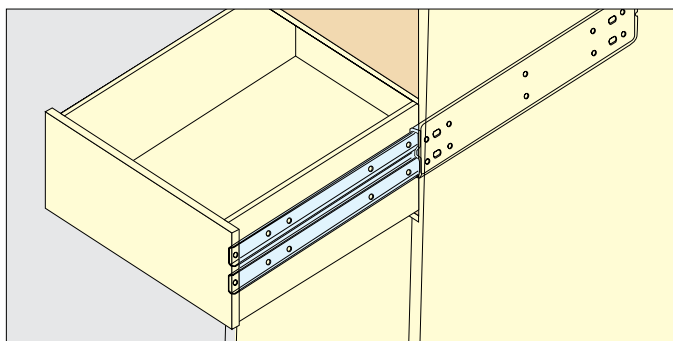
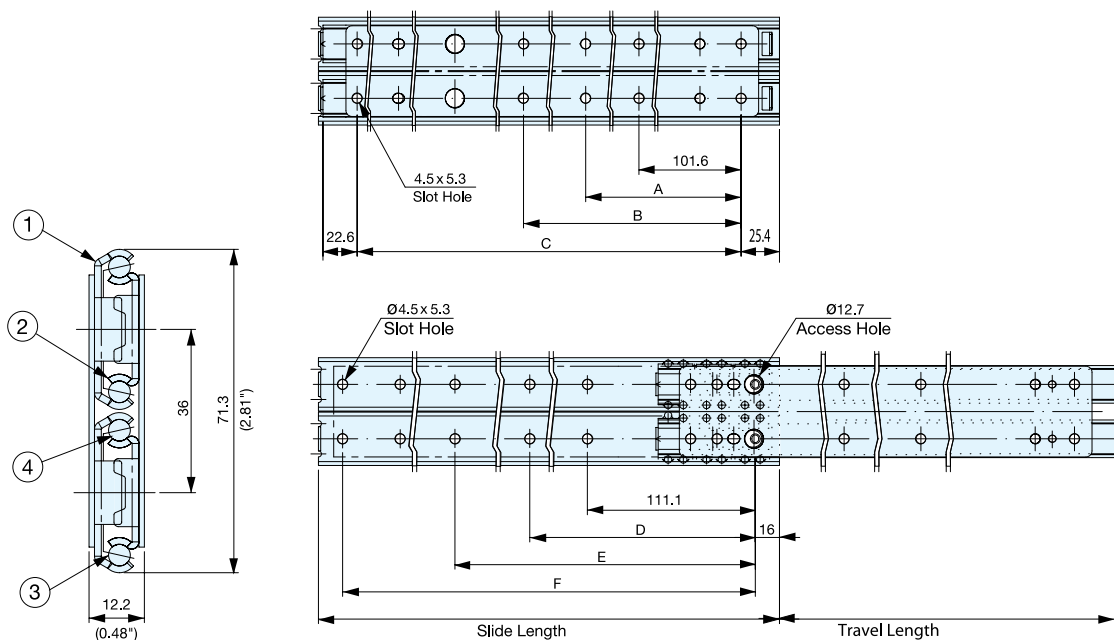


ESR-5

STAINLESS STEEL DRAWER SLIDE

TWO MEMBER 3/4 EXTENSION

POSITIVE STOP



- 3/4 extension.
 - Positive stop.
 - Non-handed.
 - Heavy duty.
- * Mount with M4 or #8 Binding, Pan, or Truss head screws.

25.4 mm=1"

No.	Part	Material
①	Outer Rail	304 Stainless Steel
②	Inner Rail	
③	Retainer	
④	Balls	

Item No.	Slide Length	Travel Length	A	B	C	D	E	F	# of Holes		Load Rating (kg/pair)	Weight (g)	Box (pcs)
									Inner Rail	Outer Rail			
ESR-5-12	305 (12")	221.8 (8-47/64")	-	152.4	254	-	149.2	273	8	114 (251 lbs)	920	12	
ESR-5-14	355.8 (14")	259.9 (10-15/64")		203.2	304.8		200	323.8					
ESR-5-16	406.6 (16")	298 (11-47/64")		254	355.6		250.8	374.6					
ESR-5-18	457.4 (18")	348.8 (13-47/64")	203.2	304.8	406.4	212.7	301.6	425.4	6	102 (224 lbs)	1500		
ESR-5-20	508.2 (20")	361.5 (14-15/64")	228.6	355.6	457.2	238.1	352.4	476.2		99 (218 lbs)	1670		
ESR-5-22	559 (22")	425 (16-47/64")	254	406.4	508	263.5	403.2	527		94 (207 lbs)	1750		
ESR-5-24	609.8 (24")	450.4 (17-47/64")	279.4	457.2	558.8	288.9	454	577.8	10	89 (196 lbs)	1920		
ESR-5-26	660.6 (26")	463.1 (18-15/64")	304.8	508	609.6	314.3	504.8	628.6		86 (189 lbs)	2090		
ESR-5-28	711.4 (28")	501.2 (19-47/64")	330.2	558.8	660.4	339.7	555.6	679.4		80 (176 lbs)	2250		

MOUNTING INSTRUCTIONS

1. Position front edge of the drawer slide's cabinet member to meet the rear of the front panel of drawer when the drawer is in the closed position. Draw a line for the slide when it is level, then fully extend the slide to mark the screw location to both cabinet and drawer. Make sure that the position of the slide is at the front edge to meet the rear of the front panel of drawer.
2. Attach the slide to the cabinet using the marks made for the screw holes on both sides of the cabinet.
3. Attach the slide to the drawer at the previously marked spots. If a retainer or rail covers a screw hole, slide rail until you see an access hole.

Sugatsune America, Inc.
 18101 Savarona Way Carson, CA 90746
 Tel 310-329-6373 Fax 310-329-0819
www.sugatsune.com