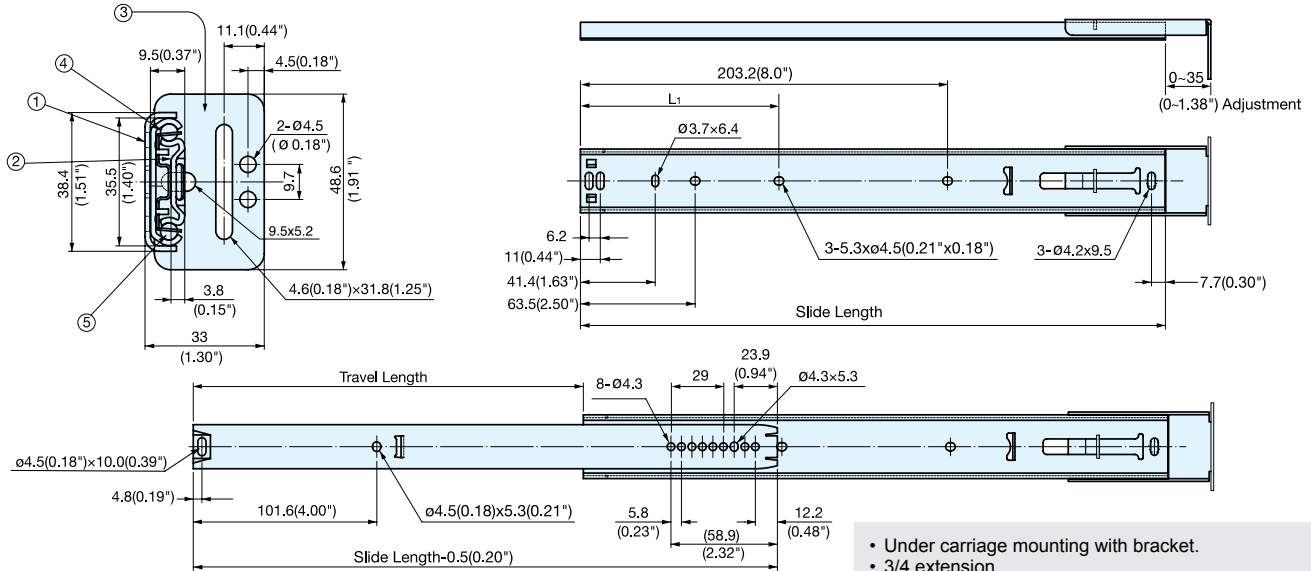


# ESR-2

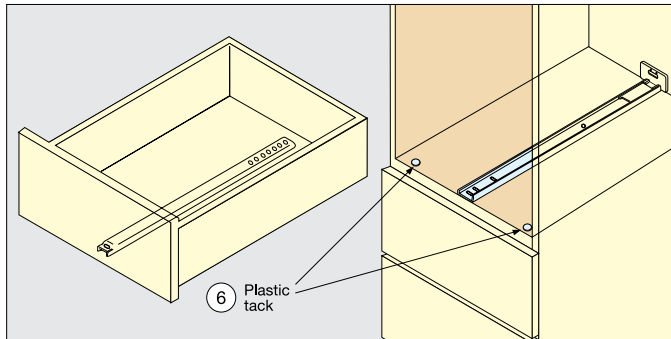
## STAINLESS STEEL DRAWER SLIDE

### TWO MEMBER 3/4 EXTENSION

### FRONT DISCONNECT FRICTION BRAKE STOP



- Under carriage mounting with bracket.
- 3/4 extension.
- Front disconnect.
- Friction brake stop.
- \* Sold by each.
- \* Mount with M4 or #8 Binding, Pan, or Truss head screws.
- \* Two plastic tacks supplied per slide.



25.4 mm=1"

No.	Part	Material
①	Outer Rail	304 Stainless Steel
②	Inner Rail	
③	Bracket	
④	Retainer	
⑤	Balls	
⑥	Plastic Tack	Polyamide

Item No.	Slide Length	Travel Length	L <sub>1</sub>	# of Holes		Load Rating (kg/pc)	Weight (g)	Box (pcs)
				Inner Rail	Outer Rail			
ESR-2-12	323.8 (12-3/4")	215.9 (8-1/2")	109.9	11	7	8 (18 lbs)	340	20
ESR-2-14	374.6 (14-3/4")	266.7 (10-1/2")	160.7			7.5 (17 lbs)	400	
ESR-2-16	425.4 (16-3/4")	304.8 ( 12" )	-		6	7 (15 lbs)	450	
ESR-2-18	476.2 (18-3/4")	317.5 (12-1/2")	262.3			490		
ESR-2-20	527 (20-3/4")	368.3 (14-1/2")	313.1		7	6.5 (14 lbs)	530	
ESR-2-22	577.8 (22-3/4")	419.1 (16-1/2")	363.9			6 (13 lbs)	630	
ESR-2-24	628.6 (24-3/4")	444.5 (17-1/2")	414.7			5.5 (12 lbs)	690	
ESR-2-26	679.4 (26-3/4")	495.3 (19-1/2")	465.5			5 (11 lbs)	720	

## MOUNTING INSTRUCTIONS

1. Separate the drawer and cabinet member by pulling slide apart.
2. Measure and mark the centerline of the drawer width and the cabinet opening.
3. Mount the drawer member(inside slide) to the underside of the drawer. Make sure that the front end of the slide is flush with the rear side of the drawer face.
4. Mount the cabinet member of the slide by inserting rear adjustable bracket into the back end of the outer slide. Set the slide down along the center of the cabinet and mount the adjustable bracket to the back wall of the cabinet. Then fasten the slide to the bottom of the cabinet.
5. Be sure to move the ball bearing retainer to the front of the slide before installing the drawer into the cabinet.

**Sugatsune America, Inc.**  
 18101 Savarona Way Carson, CA 90746  
 Tel 310-329-6373 Fax 310-329-0819  
 www.sugatsune.com