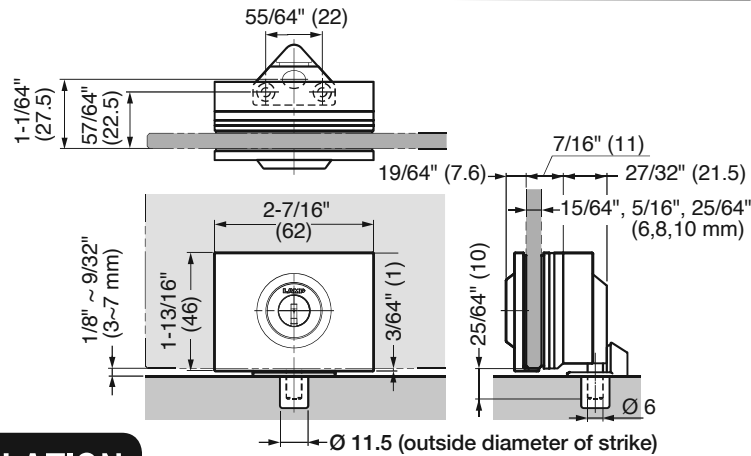


LAMP® GS-GL20 SWING DOOR LOCK INSTALLATION MANUAL

Thank you for selecting our product. Before starting installation, please read this manual thoroughly to ensure correct installation. Please keep this manual at hand for future reference.

DIMENSIONS

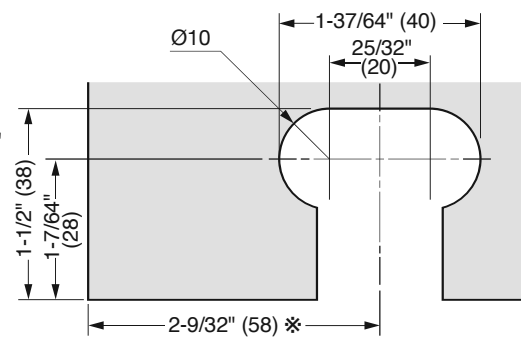
The drawing below shows a 6 mm thick door.



GLASS CUTOUT

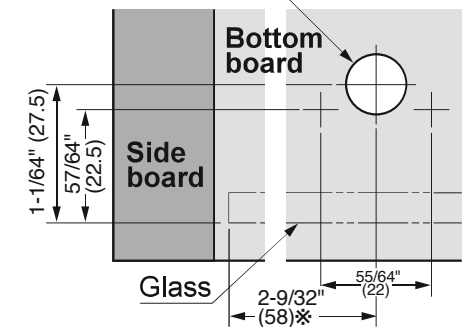
Thickness: 15/64", 5/16", 25/64" (6, 8, 10 mm)

※¹ Recommended dimensions (consult a glass supplier)



DIMENSIONS FOR STRIKE

φ12 depth 13 or more



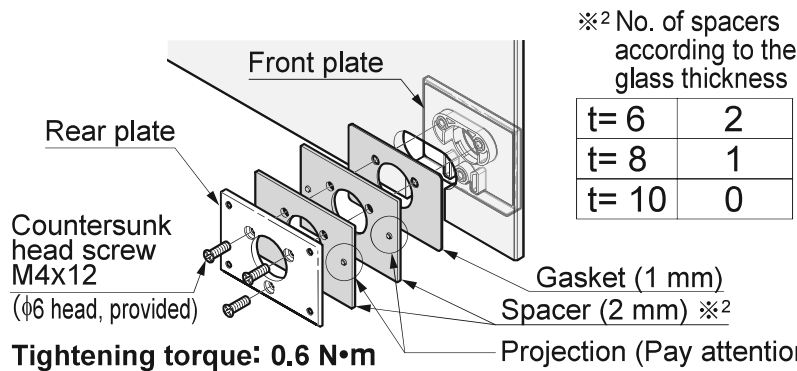
INSTALLATION

The drawing shows the view from the back.



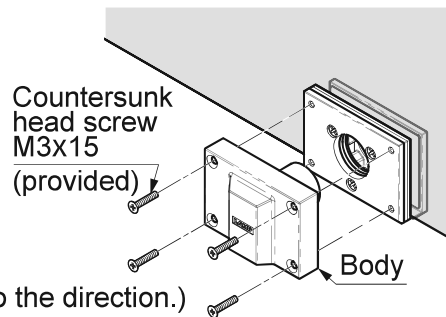
It is recommended to use shatter-proof film on the glass. For areas where the glass brackets grip, make sure to remove the shatter-proof film before installing.

1 Parts Assembly



2 Mounting of Body

Mount the body to the rear plate with the provided screws.



3 Mounting of Strike

Mount the strike with the provided screws.

