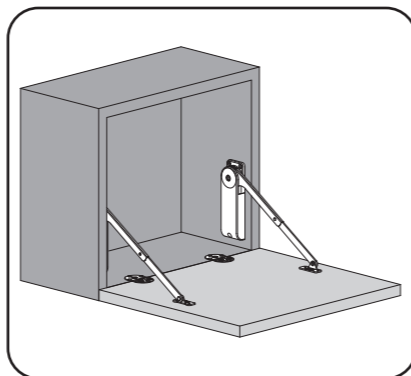


Dear Customer:

HDS-10S stay was designed and manufactured with Sugatsune's utmost care in order to give you a high performance and smooth operation on a long-term basis. We ask you to follow these instructions for best possible results and carefree use throughout lifetime.

Safety recommendations:

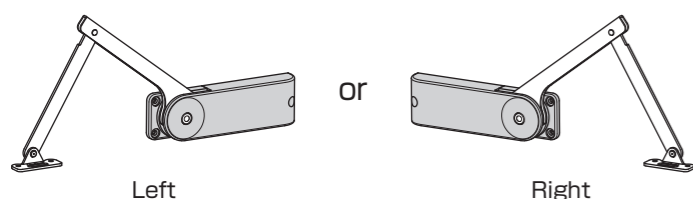
- Sugatsune recommends for the installation to be made by a professional carpenter or installer.
- This product should be used in pairs.
- Do not disassemble the arm or body of the stay.
- Please use this stay only within the specifications shown in this manual.
- Standard temperature of use is 0 to 40°C.



Warranty

- HDS-10S was produced with a particular attention to its quality. Should you however experience any difficulty, please refer to your local supplier or Sugatsune Export Department (export@sugatsune.co.jp).
- The liability of Sugatsune is limited to the replacement of the stay itself.
- Sugatsune cannot accept any liability for damage incurred while using this stay.
- Standard guaranty is for one-year period from the date of shipment.

Parts list



■ Body : 1 piece



■ Installation screws(3.5×15)
: 6 pieces

Specifications

■ Range applicable for a pair of HDS-10S

Model	Torque Moment
HDS-10S-K	5.9~9.3 N·m (60~95 kgf·cm)
HDS-10S-M	9.3~12.7 N·m (95~130 kgf·cm)
HDS-10S-H	10.8~15.7 N·m (110~160 kgf·cm)
HDS-10S-S	13.7~17.6 N·m (140~180 kgf·cm)

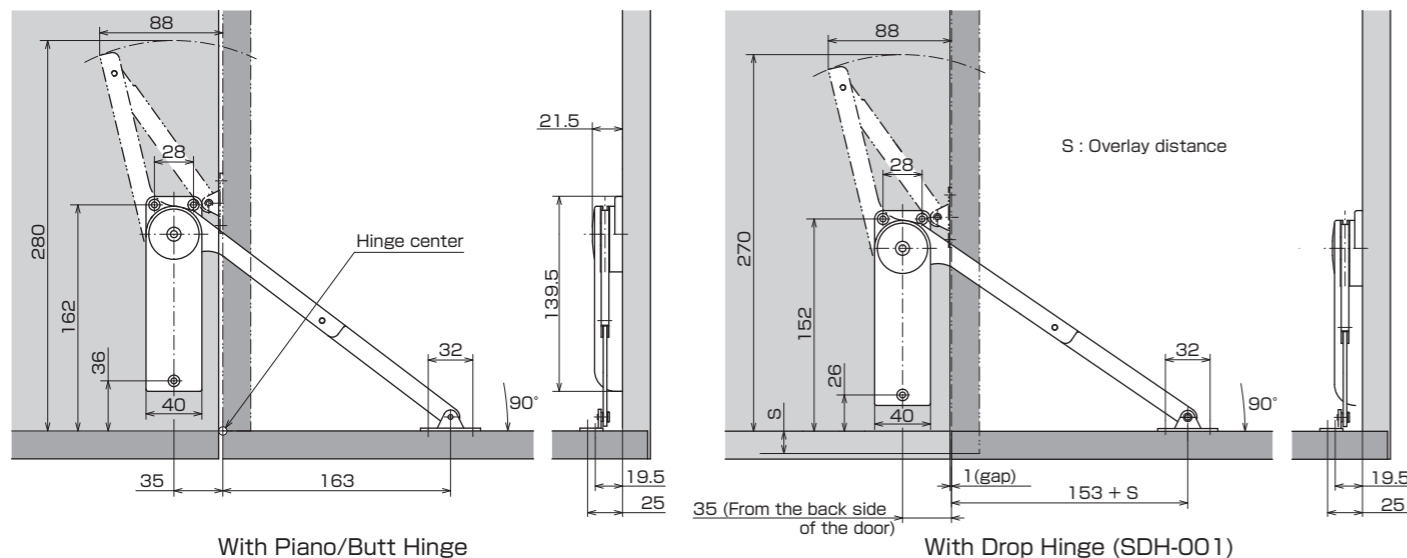
■ Torque Moment Calculation

$$\text{Torque Moment(N·m)} = \text{Door weight(kg)} \times 9.8 \times \frac{\text{Door height(m)}}{2}$$

- ※Select the torque moment range applicable in the list above.
- ※Weight of the door should include the handle.
- ※Check with the actual product if the torque moment is around upper/lower limit.

Installation drawing

※Dimensions and procedures indicate the Right hand use. For the Left, a mirror image.



Installation

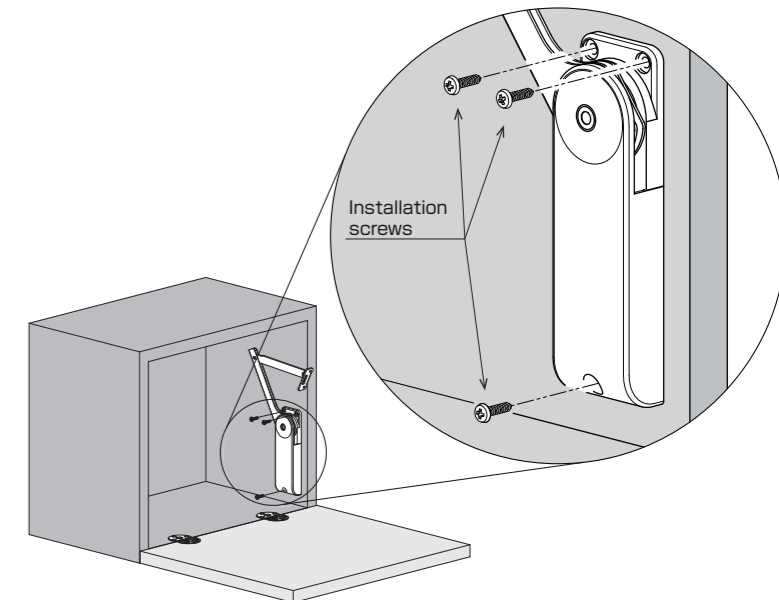
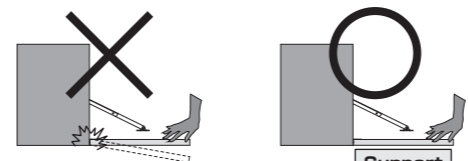
⚠ Check if the hinges are installed properly and the door moves smoothly before installing the stay.

1 Body installation

Firmly fix the body with the installation screws according to the installation drawing.

CAUTION

Be careful not to overload the hinges.

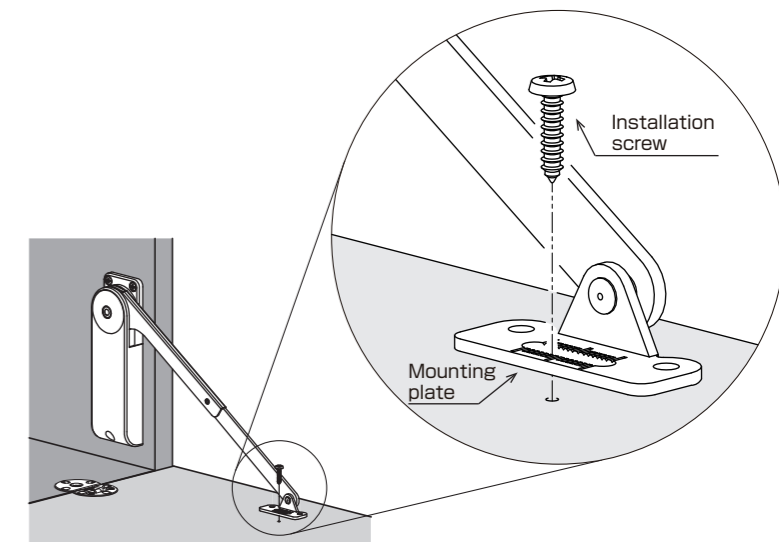


2 Mounting plate adjustment

Temporary fix the mounting plate with the installation screw using the elongate hole. Open/close the door and adjust the position of the mounting plate until the door moves smoothly.

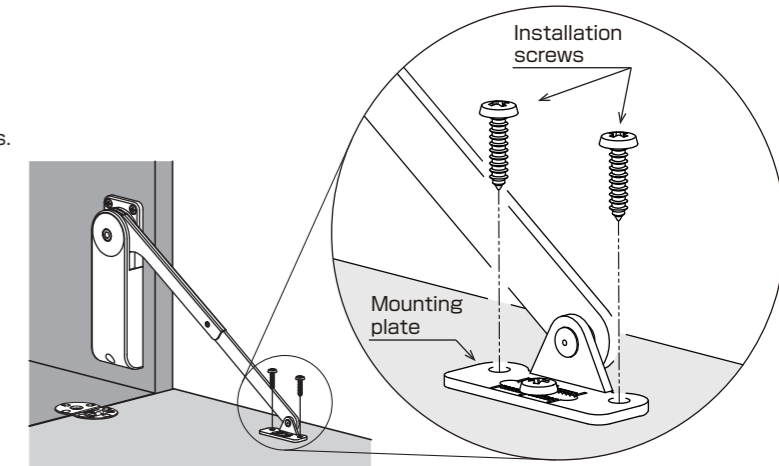
WARNING

Hold the arm firmly when installing the mounting plate to the door as it will spring back up violently and may cause serious injuries.



3 Mounting plate installation

Fix the mounting plate firmly using the installation screws.



SUGATSUNE KOGYO CO.,LTD.
 Phone: +81 3 3866 2260
 Fax : +81 3 3866 4447
 E-mail: export@sugatsune.co.jp
 Website: www.sugatsune-intl.com

SUGATSUNE KOGYO (UK) LTD.
 Phone: +44 118 9272 955
 Fax : +44 118 9272 871
 E-mail: sales@sugatsune.co.uk
 Website: www.sugatsune.co.uk

SUGATSUNE AMERICA, INC.
 Phone: +1 310 329 6373
 Fax : +1 310 329 0819
 E-mail: sales@sugatsune.com
 Website: www.sugatsune.com

SUGATSUNE SHANGHAI CO., LTD.
 Phone: +86 21 3632 1858
 Fax : +86 21 3632 1868
 E-mail: lamp@sugatsune.com.cn
 Website: www.sugatsune.com.cn