

HG-JHM9 DAMPER HINGE INSTALLATION INSTRUCTIONS

Thank you for purchasing Sugatsune products.
 Read the instructions carefully first to ensure correct installation.
 After reading the instructions and installing the product, keep this guide handy for easy reference by the user at any time.

Meaning of Symbols

	Indicates actions that require "Caution".
	Indicates "Prohibited" actions.
	Indicates "Required" actions that must be done.

About the product

- Use: Small covers for desktop sockets, small covers for machinery and equipment, etc.
- Range of use: Lids of a size and weight less than the damper torque (See the Specifications table and Maximum Lid Torque Calculation)
- Operating temperature range: 0-40°C
- Merits:
 - Compact damper is ideal for small covers for equipment, etc.
 - Bidirectional dampers have a wide range of uses, for lids, upward-opening covers, outward-opening covers, etc.

Precautions for Use

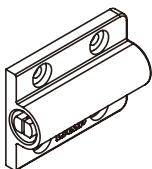

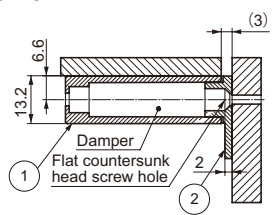
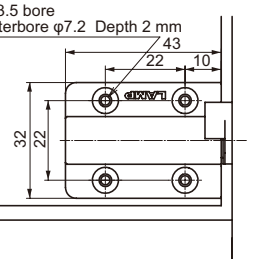
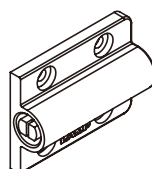
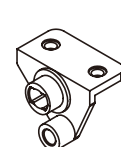
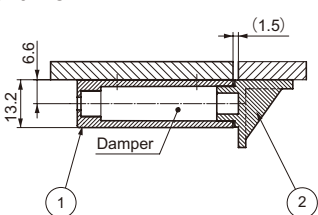
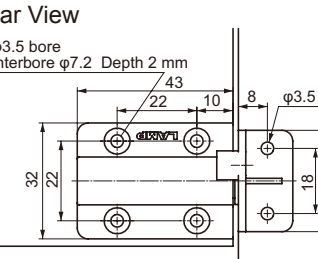
The possibility of injury or property damage only is assumed.

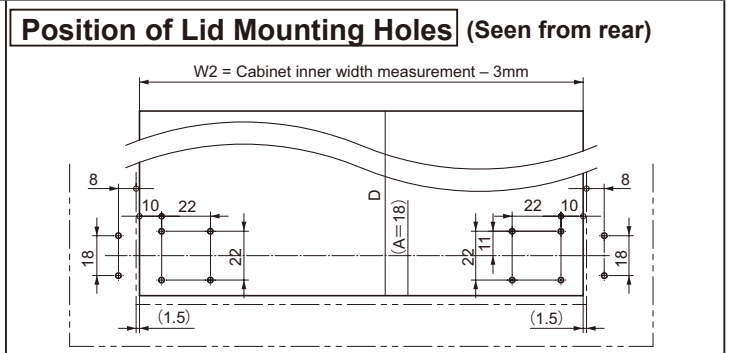
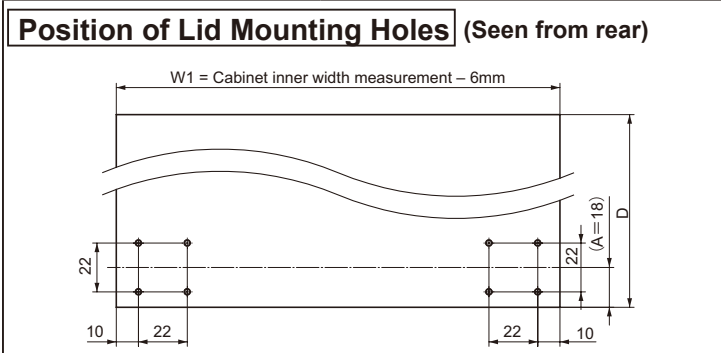
- ⊗ This product is for indoor use only. Do not use outside or anywhere where it will be exposed to water.
- ⊗ Do not use for purposes other than the intended purpose or for lids with specifications other than those shown herein.
- ⊗ Do not use excessive force to the damper as this may result in damage.
- If the operating temperature increases, the door movement becomes quicker. If the temperature decreases, movement becomes slower. This is not a mechanical problem.

Specifications

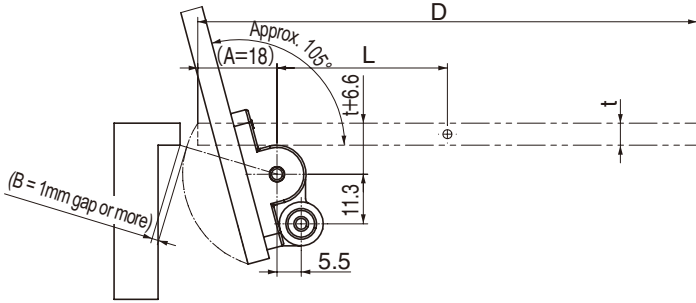
In this guide, "left" refers to the left side when looking at the cabinet from the front.

Order code	Part No.	Colour	Type	Torque
170-025-895	HG-JHM9-S-BL	Black	Side-mounted	7.0 ± 1.6cN·m
170-025-896	HG-JHM9-S-WT	White		
170-025-897	HG-JHM9-U-BL	Black	Rear-mounted	
170-025-898	HG-JHM9-U-WT	White		

Side-mounted type		Rear-mounted Type	
<p>Component Parts</p> <p>① Bracket with damper 2 pcs</p>  <p>② Side bracket L/R 1 each (marked L and R)</p>  <p>· Screws (to be supplied by the user) 4 x M3 flat countersunk head screw 8 x M3 binding head screw</p>	<p>Front View</p>  <p>Rear View</p>  <p>4 x φ3.5 bore Counterbore φ7.2 Depth 2 mm</p>	<p>Component Parts</p> <p>① Bracket with damper 2 pcs</p>  <p>② Side bracket L/R 1 each (marked L and R)</p>  <p>· Screws (to be supplied by the user) 12 x M3 binding head screw</p>	<p>Front View</p>  <p>Rear View</p>  <p>4 x φ3.5 bore Counterbore φ7.2 Depth 2 mm</p>



■ Installation Example

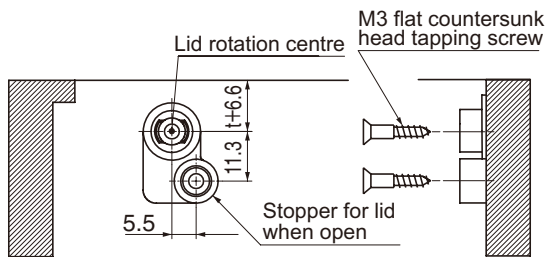


- Make sure that the gap B when the lid is open is 1mm or more.
- Provide a stopper to hold the lid at the closed position.

■ Installation Procedure

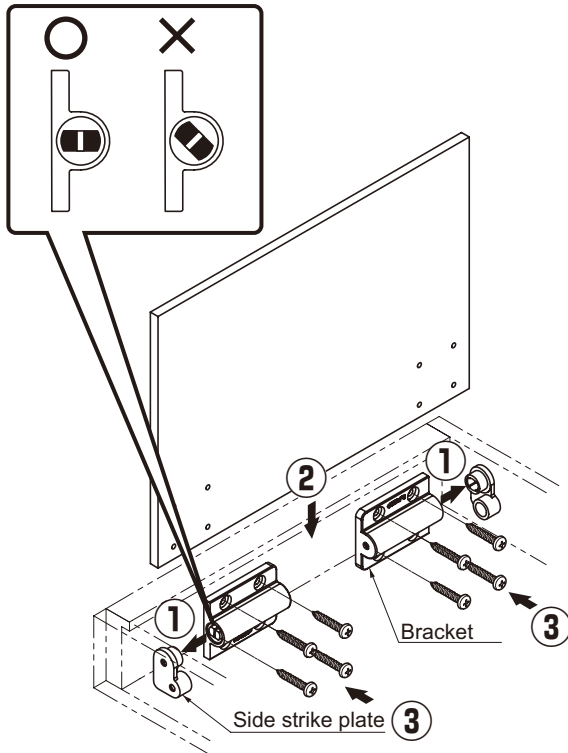
Side-mounted Type

1. Install the side strike plates ②



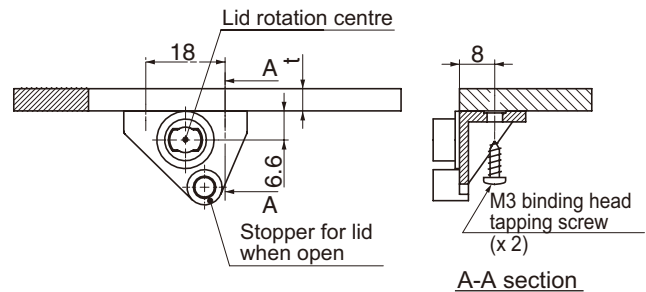
- ⚠ Be sure to install the left and right mounting plates correctly.
(The plates are marked L and R)

2. Install the brackets ① and lid



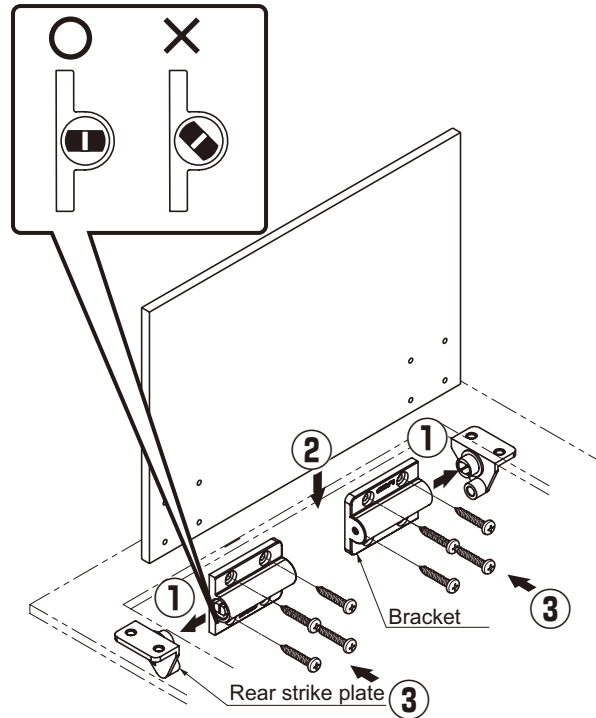
Rear-mounted Type

1. Install the rear strike plates ②



- ⚠ Be sure to install the left and right mounting plates correctly.
(The plates are marked L and R)

2. Install the brackets ① and lid



SUGATSUNE KOGYO CO.,LTD.
Phone: +81 3 3866 2260
F a x : +81 3 3866 4447
E-mail: export@sugatsune.co.jp
Website: www.sugatsune-intl.com

SUGATSUNE KOGYO (UK) LTD.
Phone: +44 118 9272 955
F a x : +44 118 9272 871
E-mail: sales@sugatsune.co.uk
Website: www.sugatsune.co.uk

SUGATSUNE AMERICA, INC.
Phone: +1 310 329 6373
F a x : +1 310 329 0819
E-mail: sales@sugatsune.com
Website: www.sugatsune.com

SUGATSUNE SHANGHAI CO., LTD.
Phone: +86 21 3632 1858
F a x : +86 21 3632 1868
E-mail: lamp@sugatsune.com.cn
Website: www.sugatsune.com.cn