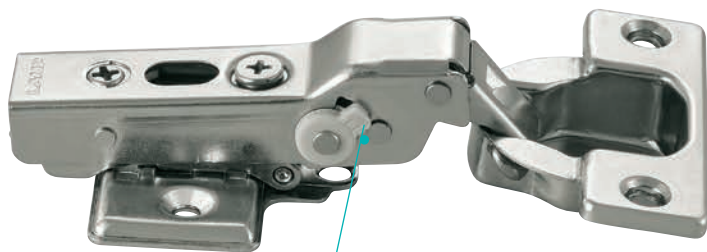


CONCEALED CUP HINGE (14 mm overlay)



360-26/C26/D26/U26-14T/14T85

With damper function (5 levels), 105° and 85° opening

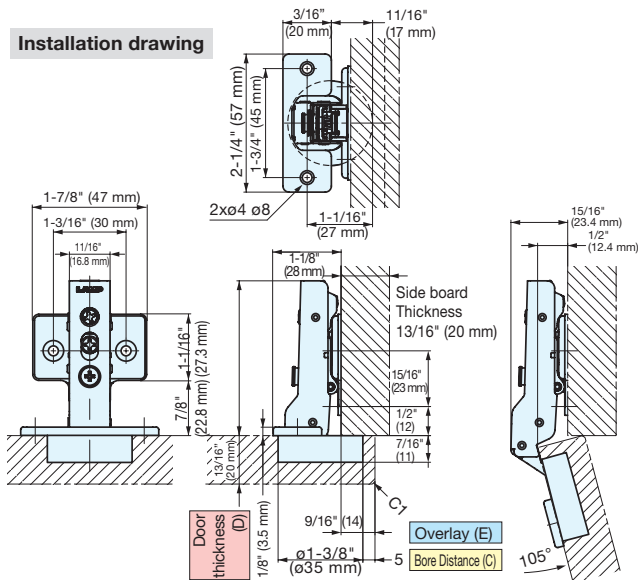


Damper power adjustment lever

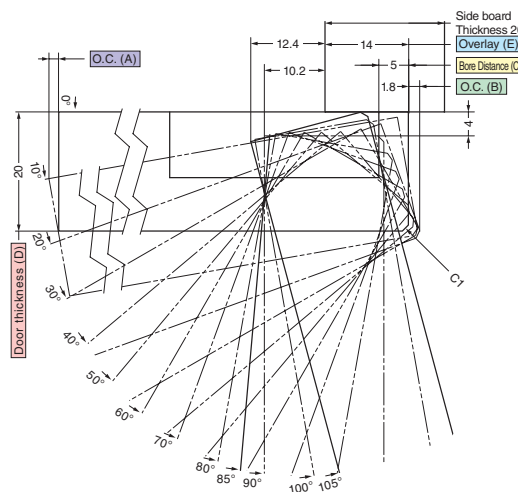
- Featuring 5-speed adjustable damper.
- Load capacity: 6 kg (13.2 lbs)/2 pcs, 10 kg (22 lbs)/3 pcs.
- Maximum door width: 600 mm (23-5/8")/2 pcs.
- Maximum door thickness: 20mm (13/16")
- Clip on type for easy installation.
- 3-way adjustment with door installed.
- Mounting plate sold separately.

3-Way adjustment
 Depth: +1.5, -2.5mm, Vertical: ±2.5mm,
 Overlay: +0, -4mm

Installation drawing



Locus chart S=1/1



Drawings show a hinge, face plate and 360-P4W-30T mounting plate (sold separately).

Opening Clearance (O.C.)

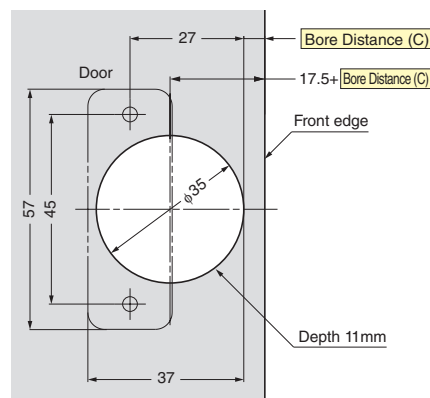
Clearances for door edge O.C. (A) and hinge side O.C. (B) are necessary. O.C. (A) and (B) change depending on door thickness and bore distance (C). Refer to locus chart and tables below when designing cabinets.

Opening clearance (B), door thickness (D) and bore distance (C) relationship

Door Thickness (D)	Bore Distance (C)		
	3	4	5
15	0.6	0.6	0.5
16	0.8	0.8	0.7
17	1.0	1.0	1.0
18	1.3	1.3	1.2
19	1.6	1.6	1.5
20	2	1.9	1.8
21*	2.4	2.3	2.2
22*	2.8	2.7	2.6
O.C. (B)			

* The table above shows O.C. (B) for C1 chamfering (chamfer plane).
 * Please refer to the locus chart if door thickness is over 20mm. O.C. (B) can be made smaller by R chamfering (round chamfer) and C chamfering (chamfer plane) on the door.

Cut out dimensions (wooden doors)



Item name	Opening angle	Type	Material	Finish	Carton
360-D26-14T	105°	With damper (5 levels)	Steel	Nickel	100pcs
360-26-14T		Without catch			200pcs
360-C26-14T		With catch			200pcs
360-U26-14T		Sprung-open			200pcs
360-D26-14T85	85°	With damper (5 levels)			100pcs
360-26-14T85		Without catch			200pcs
360-C26-14T85		With catch	200pcs		