

ROTATION BRACKET



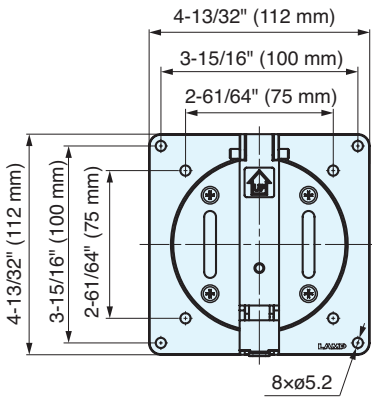
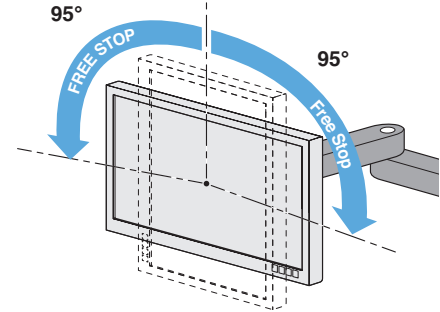
KA-T100S50-PMT-BL



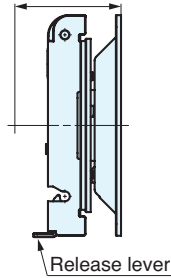
KA-T100S50-PMT-WT

- Allows monitors to rotate and hold in position.
- Replace the original mounting plate (KA-T100S50) with this bracket.
- Compliant with VESA standard. (Hole pattern 75x75 mm, 100x100 mm).
- Available monitor size: 12"-23" Max weight: 17.6 lbs. (8 kg)

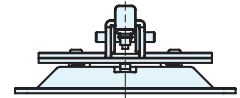
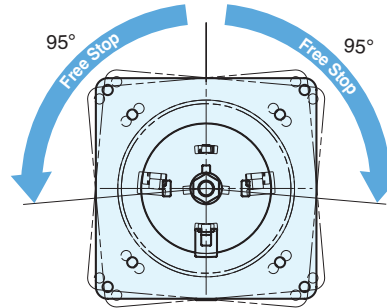
Free-stop Rotation



Distance from Tilting Rotation Center
2-1/8" (53.9 mm)



Release lever



Item No.	Color	Torque N·m (Rotate)	Weight (g)
KA-T100S50-PMT-BL	Black	35.4 lbs-in (4.0±20%)	641
KA-T100S50-PMT-WT	White		

Series Lineup **Monitor Mount Series KA-T100S50**

	Single Arm	Double Arms	Armless	Option
<ul style="list-style-type: none"> • Wall Mount • Aluminium Frame Mount 	 KA-T100S50-W2-BL KA-T100S50-W2-WT	 KA-T100S50-W3-BL KA-T100S50-W3-WT	 KA-T100S50	 KA-T100S50-PMT-BL KA-T100S50-PMT-WT
<ul style="list-style-type: none"> • Pipe Mount 	 KA-T100S50-P2-BL KA-T100S50-P2-WT	 KA-T100S50-P3-BL KA-T100S50-P3-WT		