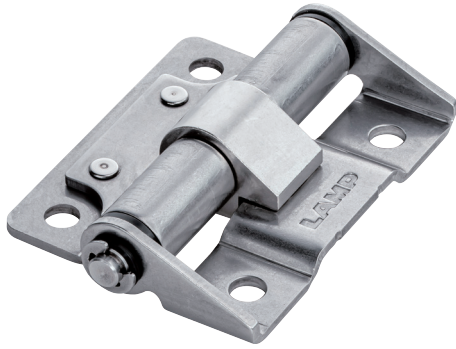


ONE WAY TORQUE HINGE



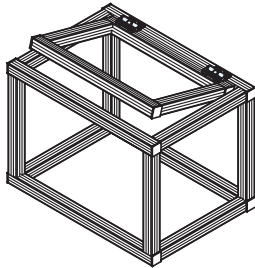
HG-TQS15

CATCHES & LATCHES



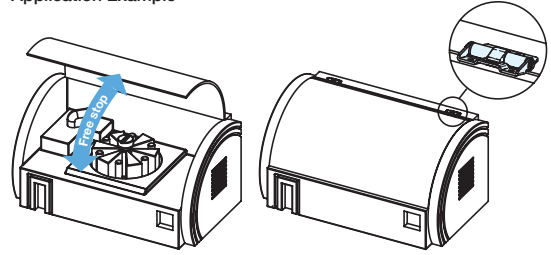
- Two options for torque direction:
 - Type A: has torque (free stop) in opening direction.
 - Type B: has torque (free stop) in closing direction.
- Allows for frictionless handling of doors in opposite direction of torque.
- Surface mounted: can be used horizontally or vertically.
- Install a catch or latch to keep lids or doors from opening.
- Durability: successfully passed 20,000 open/close private cycle test.
- Ideal for medical or analytical equipment, automation devices, maintenance on various manufacturing equipment.

Aluminium Installation Frame

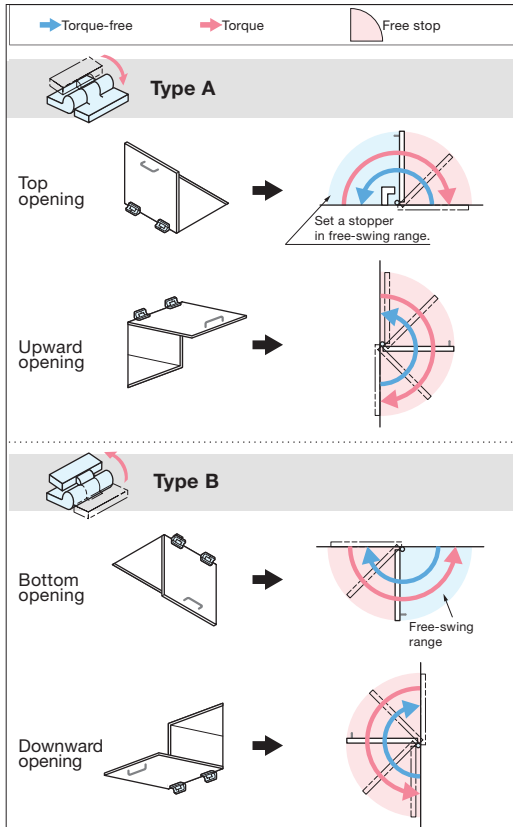


Available for installation on aluminium frames of □ 1-3/16" (30 mm) or less.

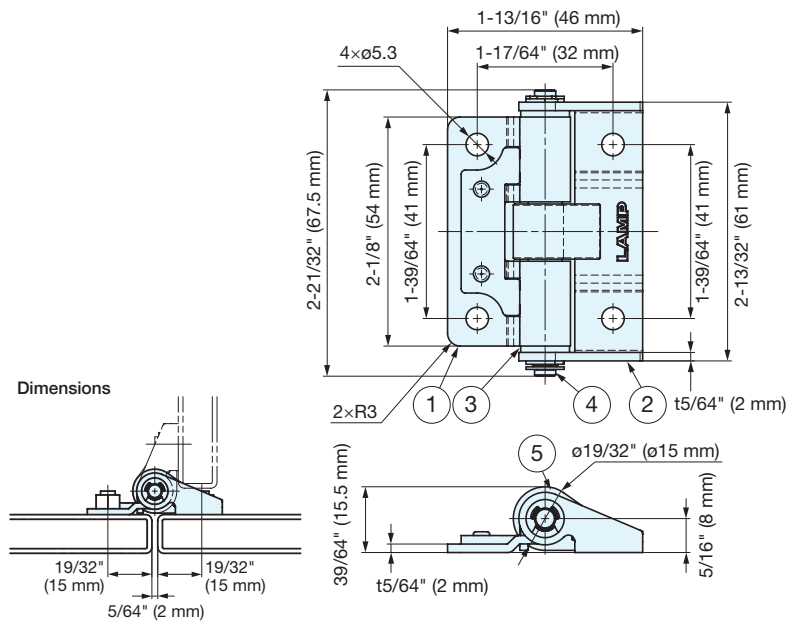
Application Example



Torque Direction and Free-stop Range



Dimensions



No.	Part Name	Material	Finish
①	Body	304 Stainless Steel	Barrel Polished
②	Base	304 Stainless Steel	Barrel Polished
③	Fixing Tube	Polyacetal (POM)	Black
④	Shaft	Stainless Steel	-
⑤	Housing	Zinc Alloy	Nickel

Item No.	Torque Working Direction	Torque	Weight (g)	Box (pcs)	Carton (pcs)
HG-TQS15-A	Opening Direction	13.2 ^{+40%} / _{-20%} lb-in (15.3 ^{+40%} / _{-20%} kgf-cm)	89	20	100
HG-TQS15-B	Closing Direction				