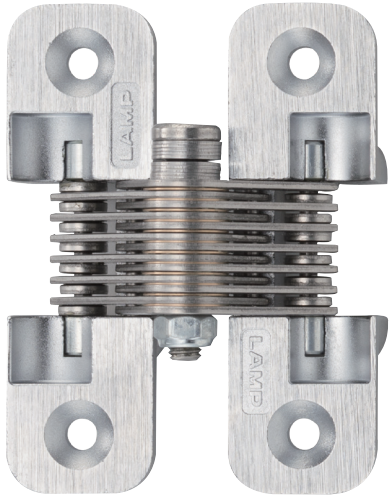


# TORQUE HINGE (CONCEALED)

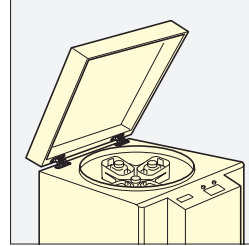


## HG-RT



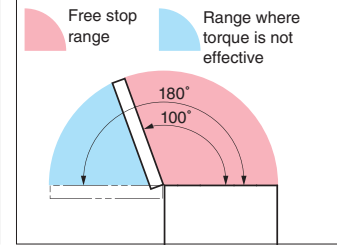
- Hinge is completely concealed when the door is closed.
- Torque decreases as the opening angle increases, making it easier to open the lid, refer to: Torque Range Chart.
- Use with top-opening lids (opening angle 0°~100°) (free stop range).
- Operating temperature: 32°F~104°F (0°C~40°C)

### Application Example



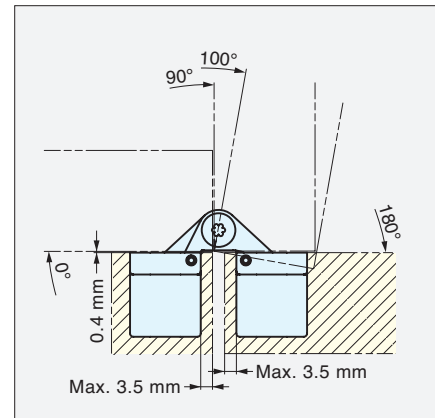
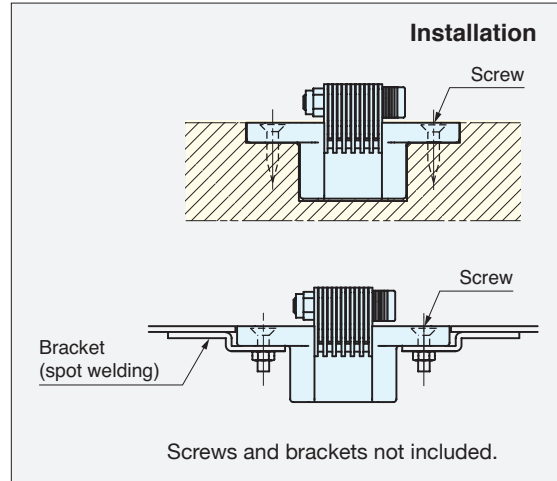
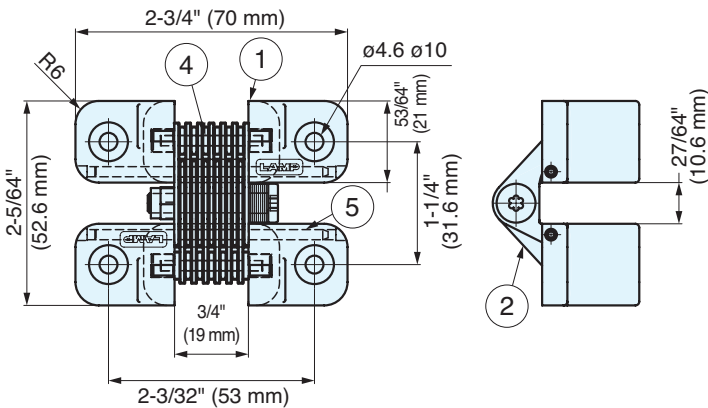
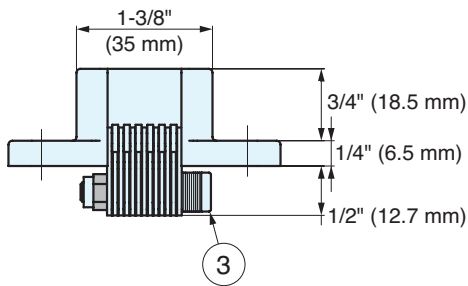
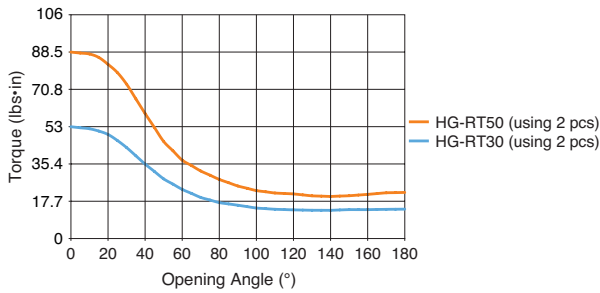
Use with top-opening lids (opening angle 0°~100°).

### Free Stop Range



Install stopper to hold the door within the range where torque is not effective.

### Torque Range



Item Name	Torque lbs·in/2pcs (kgf·cm) Closed Position	Opening Angle	Weight (g)
HG-RT30	26.5 (31±20%)	180°	160
HG-RT50	44.25 (51±20%)		

No.	Part Name	Material	Finish
①	Body	Zinc Alloy (ZDC)	Satin Chrome
②	Arm	304 Stainless Steel	Plain
③	Shaft 1		
④	Shaft 2		
⑤	Shaft 3		