

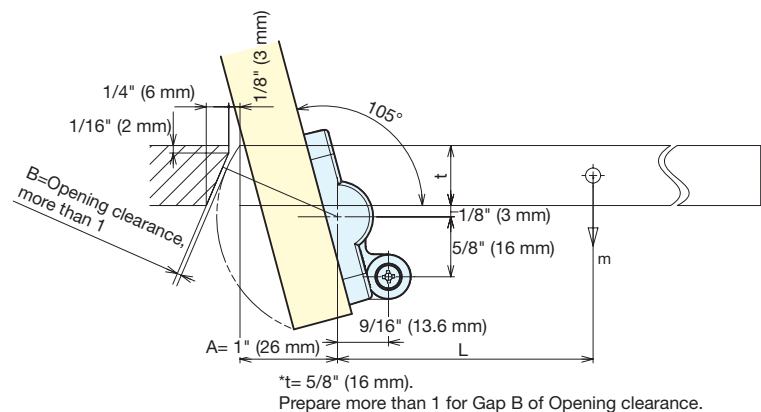
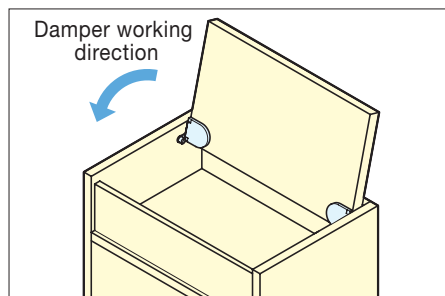
# DAMPER HINGE

- Small damper hinge with self-opening function for top-opening lids. Using with a touch latch enables pop-up function of the lid.
- Inset type.
- Opening speed is adjustable with a hex key.
- Cover hides mounting screws for clean appearance.
- Easy to cut out with a router.
- Applicable into surface mount with Bracket UKZ11-BL (sold separately).

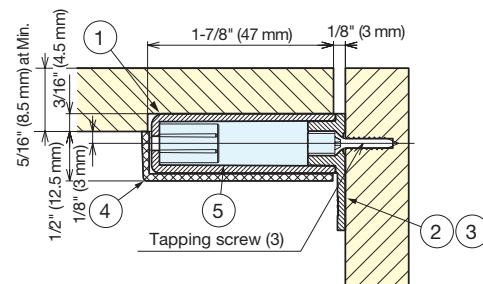


Black

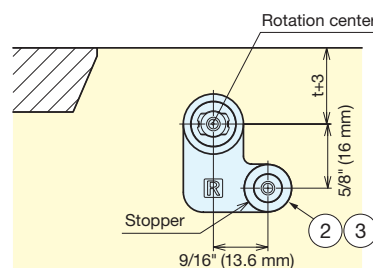
White



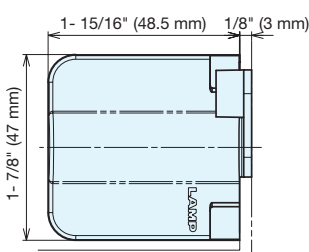
Installation  
Cross-section Drawing



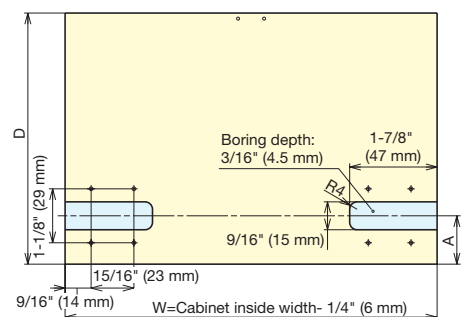
Installation  
Bracket



Top View  
When closed door

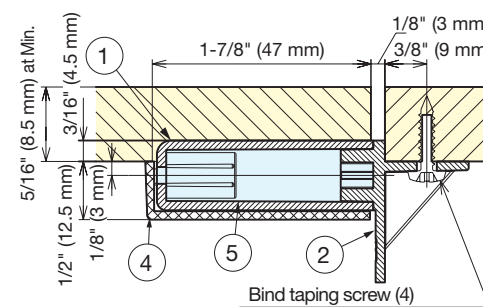


Cut Out Dimensions

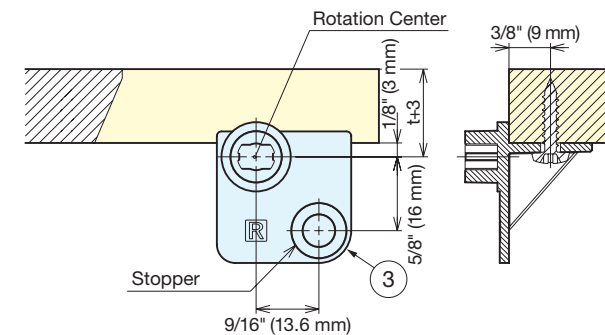


Item No.	Part Name	Material	Finish
①	Body	Polyacetal (POM)	Black
② or ③	Bracket for side mount	PBT	
④	Cover	ABS	Black/White
⑤	Damper	-	-

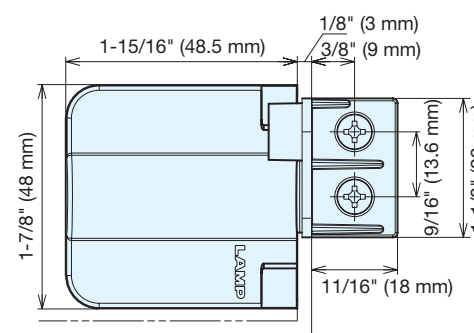
Surface Mount Type  
(Installed with Bracket for Surface Mount UKZ11-BL)  
Cross-section Drawing



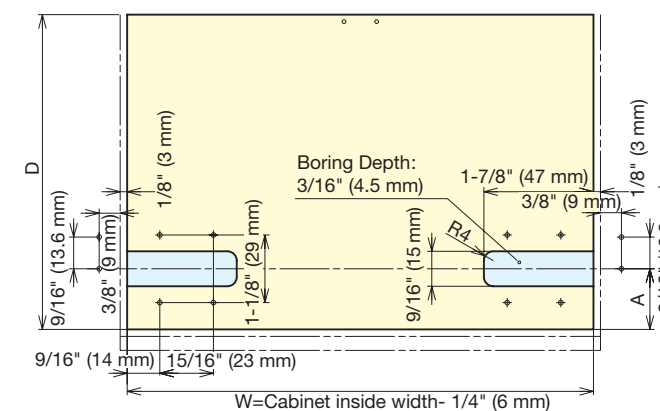
Installation  
Bracket



Top View



Cut Out Dimensions



Hinge

Item No.	Color	Torque (per pair)	Opening Angle	Weight (g)	Box (set)	Carton (set)
HG-JHM11-1BL	Black	0.44 - 0.89 lbs-in (0.51 - 1.02 kgf-cm)	105°	43.9	25	275
HG-JHM11-1WT	White	0.44 - 0.89 lbs-in (0.51 - 1.02 kgf-cm)				
HG-JHM11-2BL	Black	0.89 - 1.77 lbs-in (1.02 - 2.04 kgf-cm)				
HG-JHM11-2WT	White	0.89 - 1.77 lbs-in (1.02 - 2.04 kgf-cm)				
HG-JHM11-3BL	Black	1.77 - 2.57 lbs-in (2.04 - 2.96 kgf-cm)	105°	46.8	25	275
HG-JHM11-3WT	White	1.77 - 2.57 lbs-in (2.04 - 2.96 kgf-cm)				
HG-JHM11-4BL	Black	2.57 - 3.54 lbs-in (2.96 - 4.08 kgf-cm)				
HG-JHM11-4WT	White	2.57 - 3.54 lbs-in (2.96 - 4.08 kgf-cm)				



Bracket for Surface Mount

Item No.	Color	Weight (g)	Box (set)	Carton (set)
UKZ11-BL	Black	12	50	500