

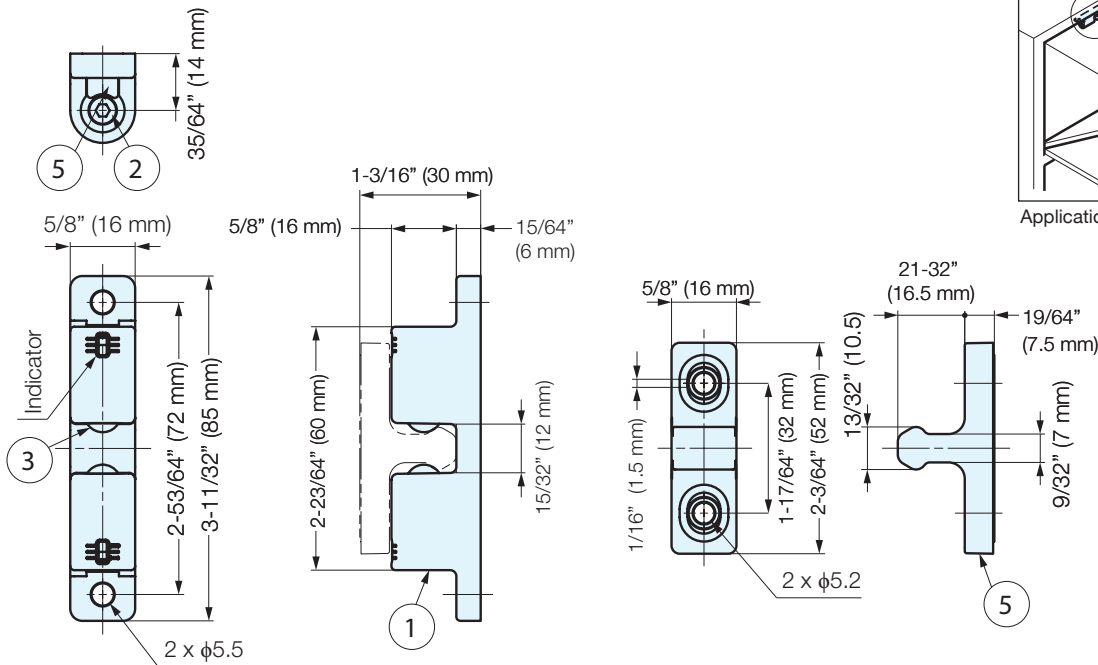
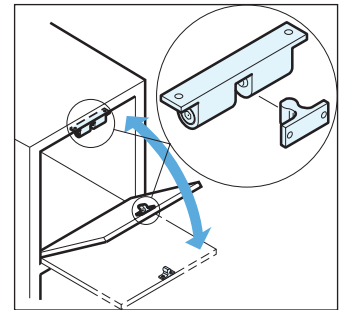
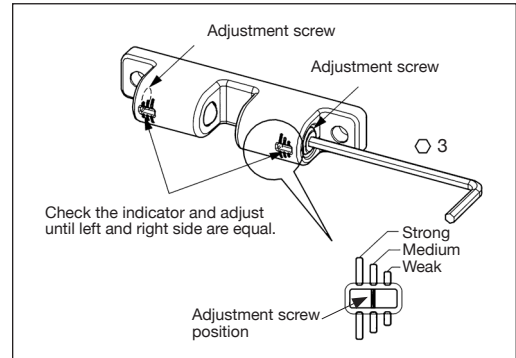
STAINLESS STEEL ADJUSTABLE TENSION CATCH



BCTS-85J



- Stainless steel catch for high corrosion resistance.
- Allows for self adjustment in case of door sags or cabinet movement.
- Features sliding two-piece strike to overcome misalignment, strike locks in place when installed.
- Adjustable tension force.
- Multi-directional catch from side or front.
- 1.5 mm alignment tolerance.
- Recommended screw 5mm or #10 screw.
- Use 3mm hex key for tension adjustment screw.



Part No.	Part Name	Material	Finish/Color
①	Body	Stainless Steel	Electropolished
②	Adjustment Screw	316 Stainless Steel	Plain
③	Ball		
④	Counterplate	Stainless Steel	Electropolished
⑤	Compression Coil Springs	Stainless Steel	Plain

Item No.	Pull Force	Push Force	Weight (g)	Box	Carton (pcs)
BCTS-85J	1.8~18.4 lbf (0.8~8.4 kgf)	1.8~17.3 lbf (0.8~7.9 kgf)	168	10	60