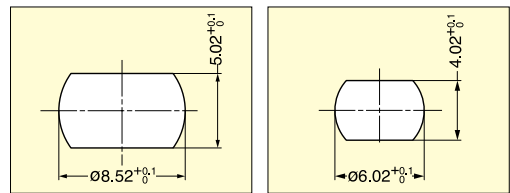
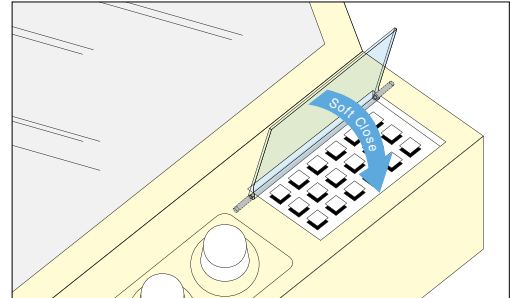
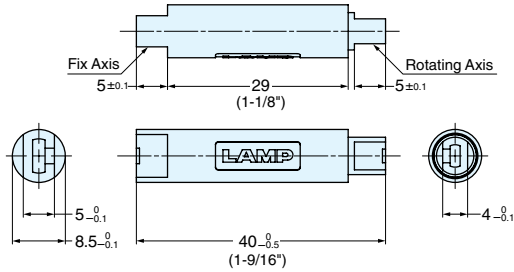


ROTARY DAMPER

URD8-3



- 360 degree rotary damper.
- Tube design for concealed application.
- For inset applications.

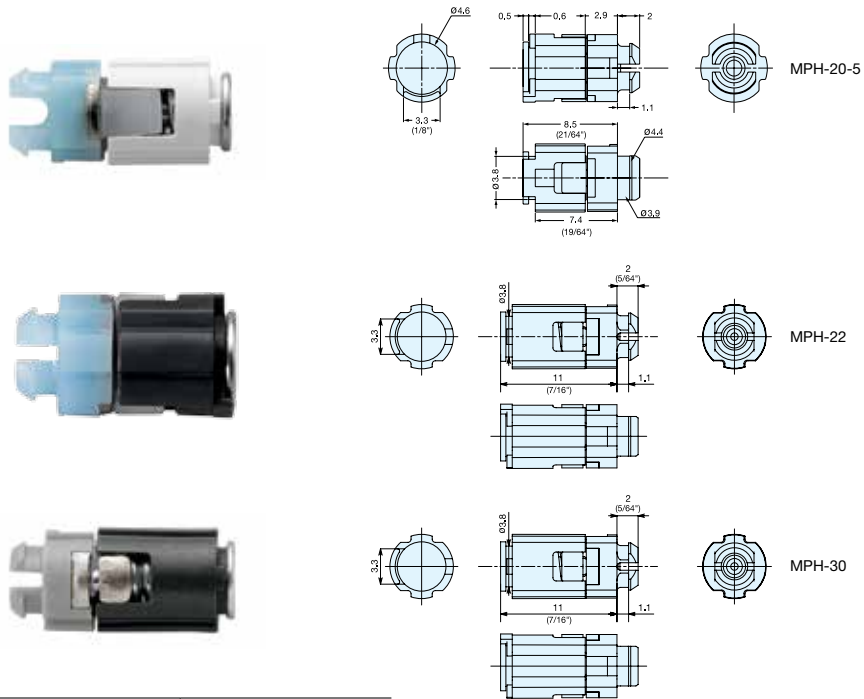


Cut-Out Dimension

Item No.	Torque per piece (kgf-cm)	Weight (g)	Material	Finish
URD8-3	0.22-0.39 (0.19-0.26 lbs-in)	2.5	Right hand	Plain

MICRO DETENT HINGE

MPH



Item No.	Weight (g)	Carton (pcs)	Part Name	Material	Finish
MPH-20-5	0.46 (0.02 oz)	4000	Body	Polyacetal	Grey/White
MPH-22	0.62 (0.02 oz)		Spindle	Steel	Chromate
MPH-30	1.01 (0.04 oz)				