

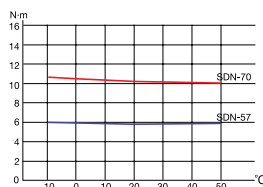
DISK DAMPER (ONE WAY)

SDN-57A, 70A

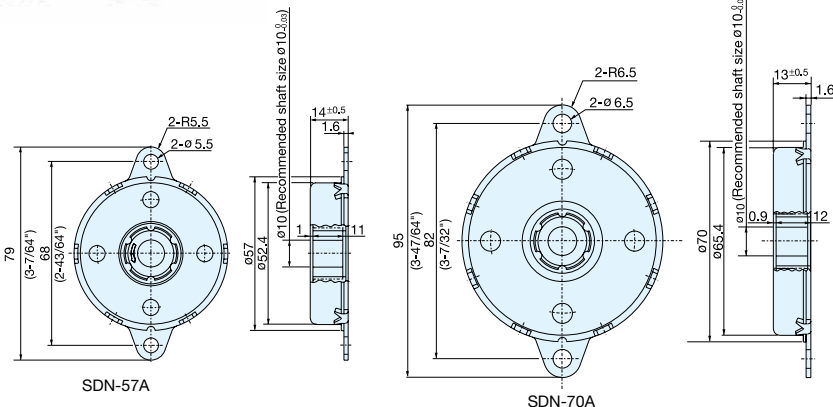
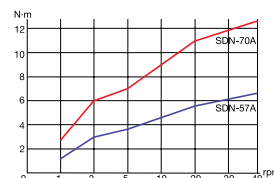
Special Order




Torque at Different Temperature (20rpm)



Torque at Different Speed (23°C/73°F)



Recommended Shaft Spec.	
Shaft size	$\phi 10_{-0.03}^{0}$ mm
Hardness	Min. HRC 55
Hardening Depth	Min 0.5mm
Surface Roughness	Max. 1.0 μ m
End Chamfering	 C0.2-C0.3 (or R0.2-R0.3)

When inserting shaft, insert by rotating shaft in the opposite direction of the dampening direction. Shaft must be supported by stationary part. Damper can only take torque load.

Item No.	Torque (kgf-cm)	Dampening Direction	Weight (g)	Carton (pcs)
SDN-57A-R553	55 (47.7 lbs-in)	Clockwise	94	100
SDN-57A-L553		Counter Clockwise		
SDN-70A-R114	110 (95.5 lbs-in)	Clockwise	136	
SDN-70A-L114		Counter Clockwise		

Part Name	Material
Body	Steel
Socket	Nylon with Glass Fiber

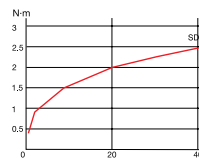
DISK DAMPER (ONE WAY)

SDN-47A, 63A

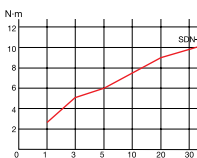
Special Order



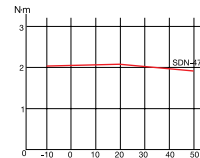
SDN-47A/Torque at Different Speed (23°C/73°F)



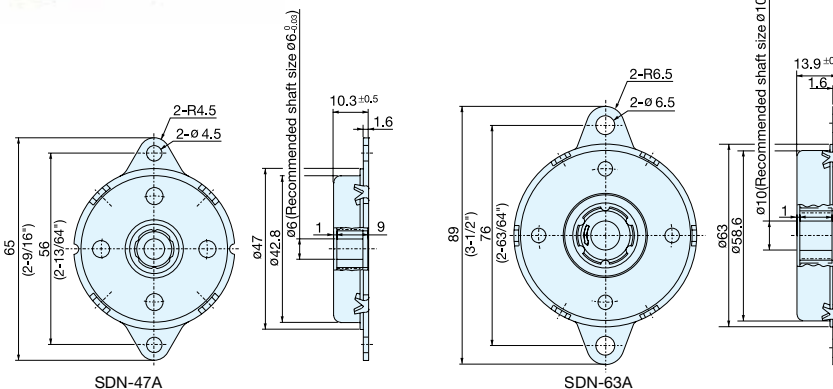
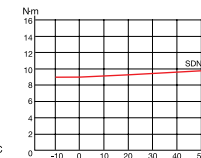
SDN-63A/Torque at Different Speed (23°C/73°F)




SDN-47A/Torque at Different Temperature (20rpm)



SDN-63A/Torque at Different Temperature (20rpm)



Recommended Shaft Spec.		
Shaft size	47A	63A
	$\phi 6_{-0.03}^{0}$ mm	$\phi 10_{-0.03}^{0}$ mm
Hardness	Min. HRC 55	
Hardening Depth	Min 0.5mm	
Surface Roughness	Max. 1.0 μ m	
End Chamfering	 C0.2-C0.3 (or R0.2-R0.3)	

When inserting shaft, insert by rotating shaft in the opposite direction of the dampening direction. Shaft must be supported by stationary part. Damper can only take torque load.

Item No.	Torque (kgf-cm)	Dampening Direction	Weight (g)	Carton (pcs)
SDN-47A-R203	20 (17.4 lbs-in)	Clockwise	55	100
SDN-47A-L203		Counter Clockwise		
SDN-63A-R903	85 (73.8 lbs-in)	Clockwise	115	
SDN-63A-L903		Counter Clockwise		

Part Name	Material
Body	Steel
Socket	Nylon with Glass Fiber