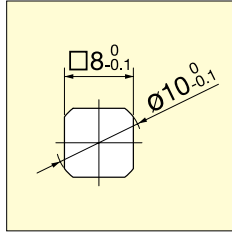


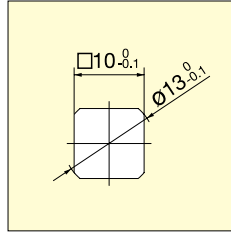
# DISK DAMPER (TWO WAY)

# SDT-47A, 57A

Special Order

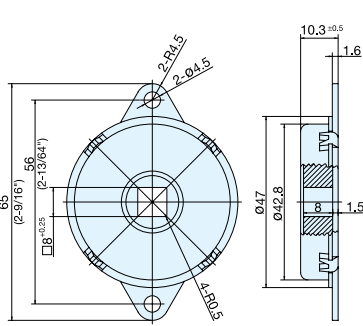
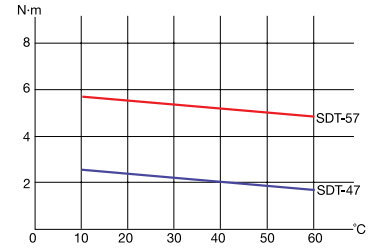


SDT-47A-203  
Recommended Shaft Dimension

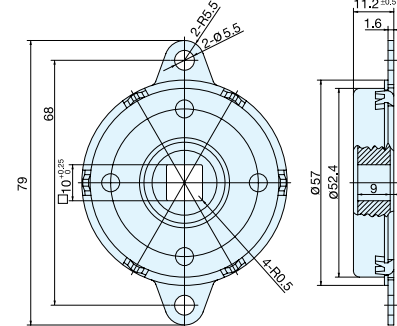


SDT-57A-503  
Recommended Shaft Dimension

Torque at Different Temperature (20rpm)

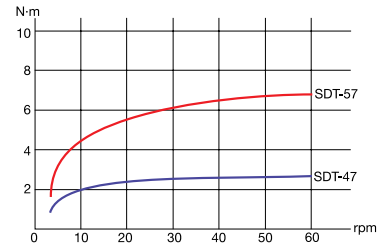


SDT-47A-203



SDT-57A-503

Torque at Different Speed (23°C/73°F)



\*Shaft must be supported by stationary part.  
Damper can only take torque load.

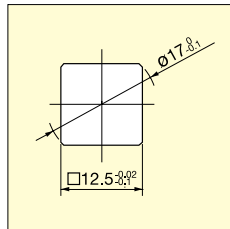
| Item No.    | Torque (kgf-cm)   | Weight (g) | Carton (pcs) |
|-------------|-------------------|------------|--------------|
| SDT-47A-203 | 20 (17.36 lbs-in) | 49         | 100          |
| SDT-57A-503 | 47 (40.80 lbs-in) | 75         |              |

| Part Name | Material               |
|-----------|------------------------|
| Body      | Steel                  |
| Socket    | Nylon with Glass Fiber |

# DISK DAMPER (TWO WAY)

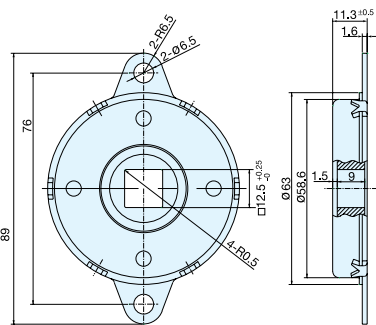
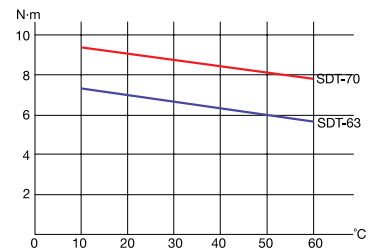
# SDT-63A, 70A

Special Order

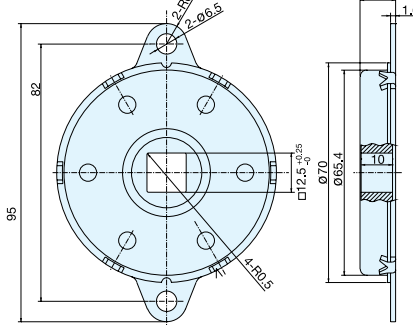


Recommended Shaft Dimension

Torque at Different Temperature (20rpm)

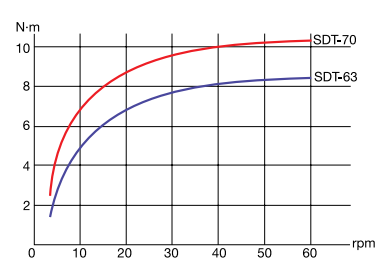


SDT-63A-703



SDT-70A-903

Torque at Different Speed (23°C/73°F)



\*Shaft must be supported by stationary part.  
Damper can only take torque load.

| Item No.    | Torque (kgf-cm)   | Weight (g) | Carton (pcs) |
|-------------|-------------------|------------|--------------|
| SDT-63A-703 | 67 (58.16 lbs-in) | 92         | 100          |
| SDT-70A-903 | 87 (75.52 lbs-in) | 112        |              |

| Part Name | Material               |
|-----------|------------------------|
| Body      | Steel                  |
| Socket    | Nylon with Glass Fiber |