

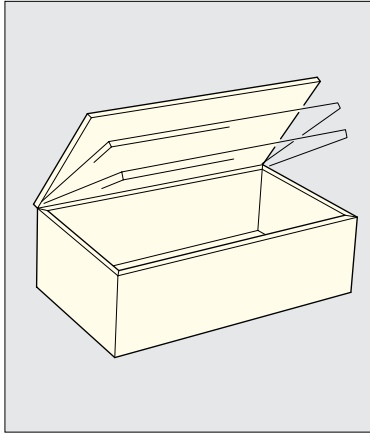
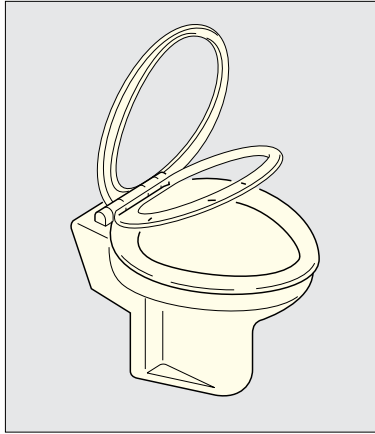
# TORQUE DAMPER



UDH

TORQUE DAMPERS

SMALL DAMPERS



Application

- Keeps lids/doors from slamming shut.
- Patented technology that allows a small design to produce high torque and wider dampening angles.
- Stainless steel body keeps dampening torque stable and consistent.
- Ensures high durability and ideal for corrosive environments.
- Cycle tested at 70,000 for natural closing and 13,000 forced closing.

## HINGED VARIANTS



**HG-JH14**  
(See page 222 for details)

**HG-JH25/35**  
(See page 222 for details)

**HG-JHW/JHWG**  
(See page 223 for details)

UDH-14 Type

No.	Part Name	Material	Finish/Color
①	Body	304 Stainless Steel	Plain
②	Shaft	PBT Plastic	A-White, B-Grey
③	Cover Ring		-

UDH Type

No.	Part Name	Material	Finish/Color
①	Body	304 Stainless Steel	Plain
②	Shaft	PBT Plastic	A-White, B-Grey
③	Cover Ring	304 Stainless Steel	-

UDH-16 Type

No.	Part Name	Material	Finish/Color
①	Body	304 Stainless Steel	Plain
②	Shaft	PBT Plastic	A-White B-Grey
③	Cover Ring		-

UDH-16N Type

No.	Part Name	Material	Finish/Color
①	Body	304 Stainless Steel	Plain
②	Shaft	PBT Plastic	A-White B-Grey
③	Cover Ring	PPS Plastic	-

\*ROHS Compliant versions available upon request.

\*Not NSF

Item No.	Torque per piece (kgf-cm)	Dampening Direction	Color Mark	Weight (g)	Carton(pcs)
UDH-14ALS	5.1~8.2 ( 4.4~7.1 lbs-in )	Counter Clockwise	Purple	10	400
UDH-14BLS		Clockwise			
UDH-14AMS	8.2~15.3 ( 7.0~13.0 lbs-in)	Counter Clockwise	Blue		
UDH-14BMS		Clockwise			
UDH-14AHS	15.3~25.5 (13.0~22.0 lbs-in)	Counter Clockwise	Red		
UDH-14BHS		Clockwise			
UDH-AMS	15.0~25.0 (13.0~21.0 lbs-in)	Counter Clockwise	Blue		
UDH-BMS		Clockwise			
UDH-AHS	25.0~35.0 (21.0~30.0 lbs-in)	Counter Clockwise	Red		
UDH-BHS		Clockwise			
UDH-AGS	35.0~40.0 (30.0~34.0 lbs-in)	Counter Clockwise	Yellow		
UDH-BGS		Clockwise			
UDH-16AMS	10.2~17.3 ( 8.8~15.0 lbs-in )	Counter Clockwise	Green	16	200
UDH-16BMS		Clockwise			
UDH-16AHS	17.3~25.5 (15.0~22.0 lbs-in)	Counter Clockwise	Black		
UDH-16BHS		Clockwise			
UDH-16N AMS	17.3~24.5 (15.0~21.2 lbs-in)	Counter Clockwise	Blue	20	200
UDH-16N BMS		Clockwise			
UDH-16N AHS	22.4~30.6 (19.4~26.6 lbs-in)	Counter Clockwise	Red		
UDH-16N BHS		Clockwise			