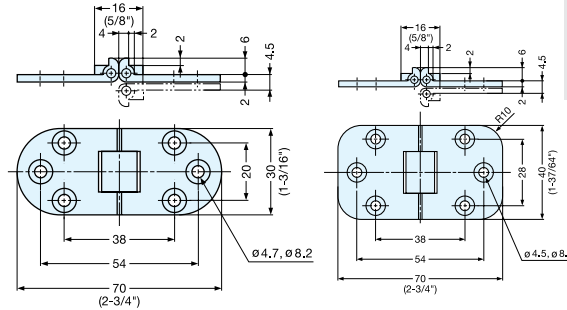


TABLETOP HINGE



SMH-30, 40



- Double pivot hinge with 180° opening.
- Door Size: Max. W450 × H700 × t21 mm (W17-3/4" × H27-9/16" × t53/64")
- Door Weight: Max. 4 kg/pair (8.8 lbs/pair)
- Creates a flush surface when hinge is recessed into a tabletop, tray, etc.

Please specify the finish when ordering.

Item No.	Weight (g)	Box (pcs)	Carton (pcs)
SMH-30	45	24	360
SMH-40	64	16	240

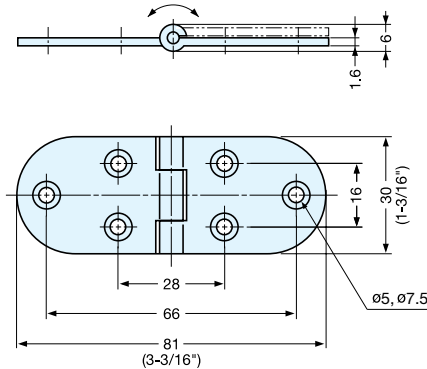
Material	Finish
Brass	Polished Brass (PB)
	Satin Nickel (SN)
	Chrome (CR)

HINGES
TABLETOP HINGES

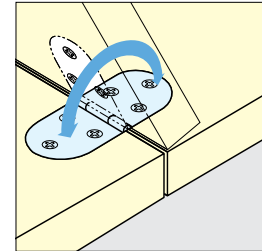
TABLETOP HINGE



SMH-83



- Door Size: Max. W450 × H700 × t21 mm (W17-3/4" × H27-9/16" × t53/64")
- Door Weight: Max. 4 kg/pair (8.8 lbs/pair)
- Only SMH-83/S is NSF certified.



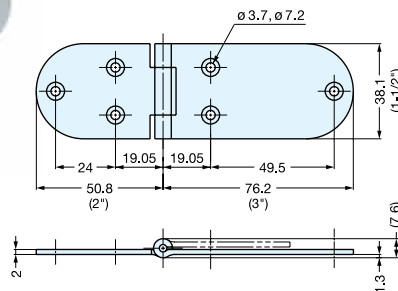
Item No.	Weight (g)	Box (pcs)	Carton (pcs)
SMH-83/S	28	100	1000
SMH-83/CR	31		

Material	Finish
304 Stainless Steel	Satin (S)
Steel	Chrome (CR)

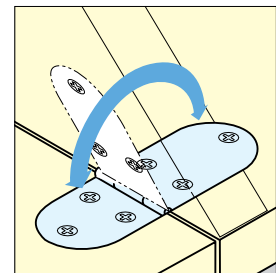
TABLETOP HINGE



MA-5



- Door Size: Max. W450 × H700 × t21 mm (W17-3/4" × H27-9/16" × t53/64")
- Door Weight: Max. 4 kg/pair (8.8 lbs/pair)



Item No.	Weight (g)	Box (pcs)	Carton (pcs)
MA-5	74	20	200

Material	Finish
304 Stainless Steel	Mirror