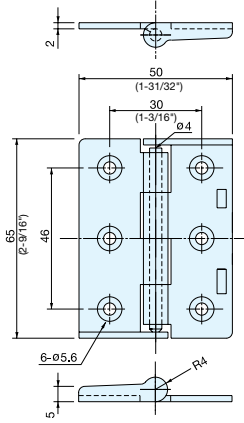


BUTT HINGE



HG-BF1



- Leaf extension on edges prevents pin removal.

Item No.	Weight (g)	Box (pcs)	Carton (pcs)	Material	Finish
HG-BF1	63	20	120	304 Stainless Steel	Plain

BUTT HINGE



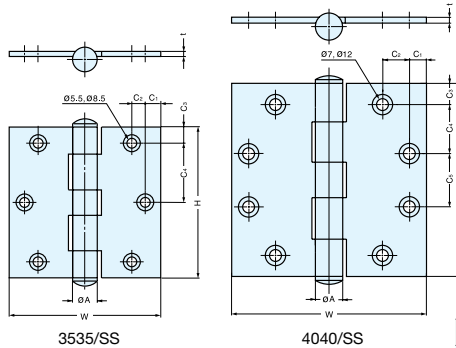
3535/SS, 4040/SS



3535/SS



4040/SS



- Door weight:
3535/SS Max. 25kg/pair (55lbs/pair)
4040/SS Max. 40kg/pair (88lbs/pair)

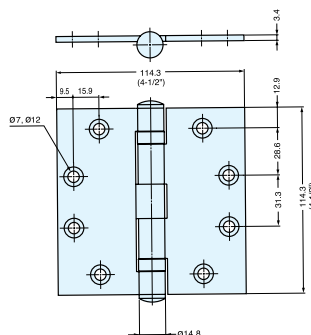
Material	Finish
304 Stainless Steel	Satin

Item No.	H	W	C ₁	C ₂	C ₃	C ₄	C ₅	A	t	Weight (g)	Box (pcs)	Carton (pcs)
3535/SS	89.0 (3-1/2")	89.0 (3-1/2")	9.1	8.0	9.1	35.4	-	14.0	3.0	145	2	100
4040/SS	101.6 (4")	101.6 (4")	9.5	9.5	13.0	25.5	24.6	14.8	3.4	195		50

BUTT HINGE (W/BALL BEARING)



4545B/SS



- Ball bearing provides smooth movement.
- Door weight: Max. 45kg/pair (99lbs/pair)

Item No.	Weight (g)	Box (pcs)	Carton (pcs)	Material	Finish
4545B/SS	420	2	50	304 Stainless Steel	Satin