

CONCEALED HINGE (9mm OVERLAY)



304B-46/9, C46/9



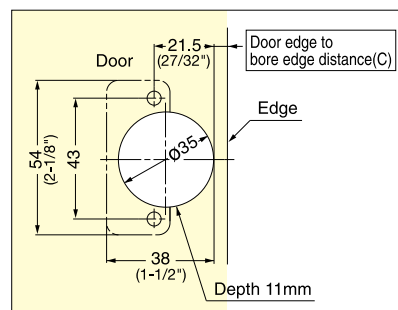
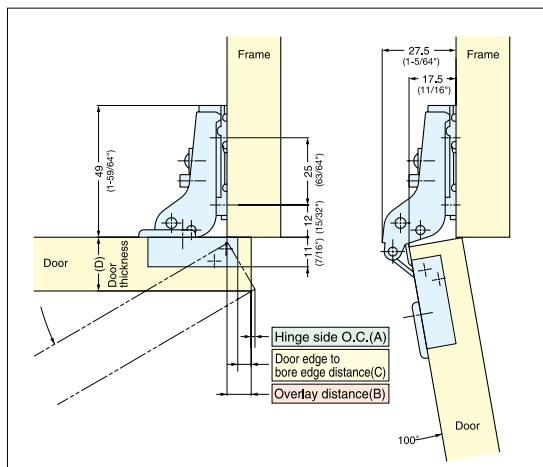
■ Door edge to bore edge distance (C) and Overlay distance (B) Table 1.

Door edge to bore edge distance (C)	3	4	5
Overlay distance (B)	7	8	9

■ Hinge side opening clearance chart Table 2.

Door thickness (D)	Door edge to bore edge distance (C)		
	3	4	5
15	0.5	0.5	0.5
16	0.7	0.7	0.7
17	0.8	0.8	0.8
18	1.0	1.0	1.0
19	1.2	1.2	1.2
20	1.4	1.4	1.4

Hinge side O.C. (A)



Bore Dimensions

Item No.	Type	Weight (g)	Carton (pcs)
304B-46/9	Free Swinging	60	200
304B-C46/9	Self-Closing		

Material	Finish
304 Stainless Steel	Polished

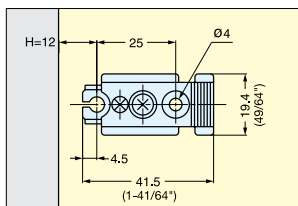
MOUNTING PLATE



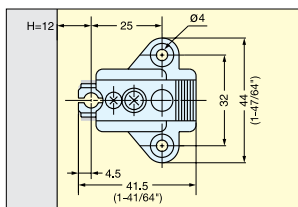
304B-P3A, P4A/32, P4A/32-3W



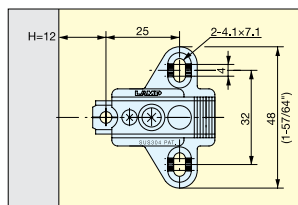
304B-P3A



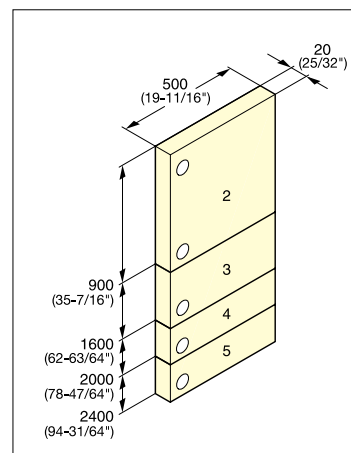
304B-P4A/32



304B-P4A/32-3W



• Mounting plate for 304B hinges.



Number of hinges required.

Item No.	Weight (g)	Carton (pcs)
304B-P3A	40	400
304B-P4A/32		
304B-P4A/32-3W		

Material	Finish
304 Stainless Steel	Polished