

CONCEALED HINGE (19mm OVERLAY)



304B-46/19, C46/19

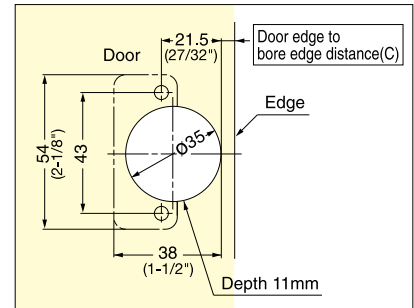
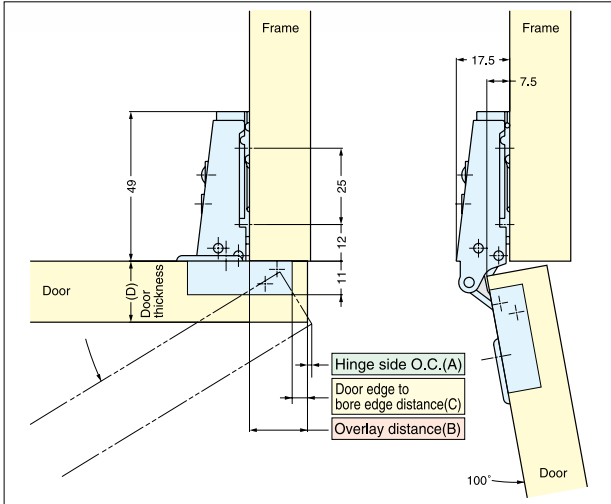


■ Door edge to bore edge distance (C) and Overlay distance (B) Table 1.

Door edge to bore edge distance (C)	3	4	5
Overlay distance (B)	17	18	19

■ Hinge side opening clearance chart Table 2.

Door thickness (D)	Door edge to bore edge distance (C)		
	3	4	5
15	0.5	0.5	0.5
16	0.7	0.7	0.7
17	0.8	0.8	0.8
18	1.0	1.0	1.0
19	1.2	1.2	1.2
20	1.4	1.4	1.4
Hinge side O.C. (A)			



Bore Dimensions

Item No.	Type	Weight (g)	Carton (pcs)	Material	Finish
304B-46/19	Free Swinging	60	200	304 Stainless Steel	Polished
304B-C46/19	Self-Closing				

CONCEALED HINGE (14mm OVERLAY)



304B-46/14, C46/14

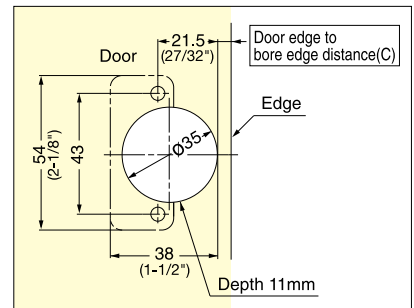
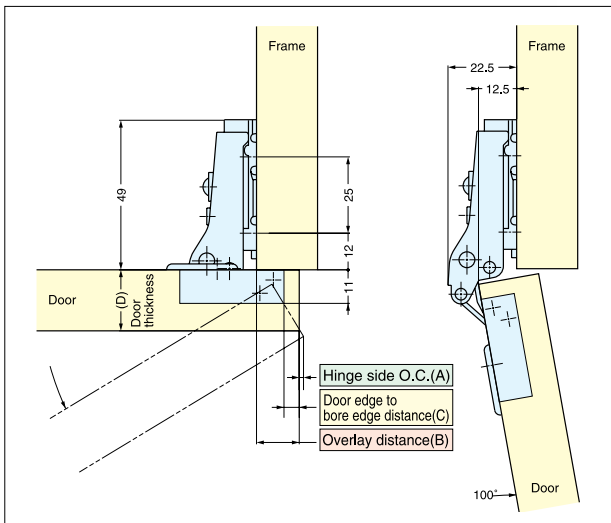


■ Door edge to bore edge distance (C) and Overlay distance (B) Table 1.

Door edge to bore edge distance (C)	3	4	5
Overlay distance (B)	12	13	14

■ Hinge side opening clearance chart Table 2.

Door thickness (D)	Door edge to bore edge distance (C)		
	3	4	5
15	0.5	0.5	0.5
16	0.7	0.7	0.7
17	0.8	0.8	0.8
18	1.0	1.0	1.0
19	1.2	1.2	1.2
20	1.4	1.4	1.4
Hinge side O.C. (A)			



Bore Dimensions

Item No.	Type	Weight (g)	Carton (pcs)	Material	Finish
304B-46/14	Free Swinging	60	200	304 Stainless Steel	Polished
304B-C46/14	Self-Closing				