



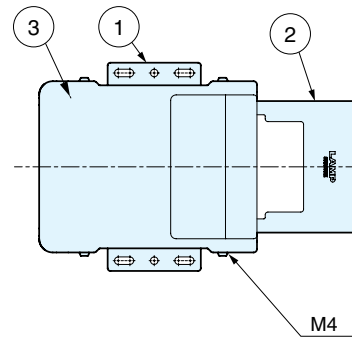
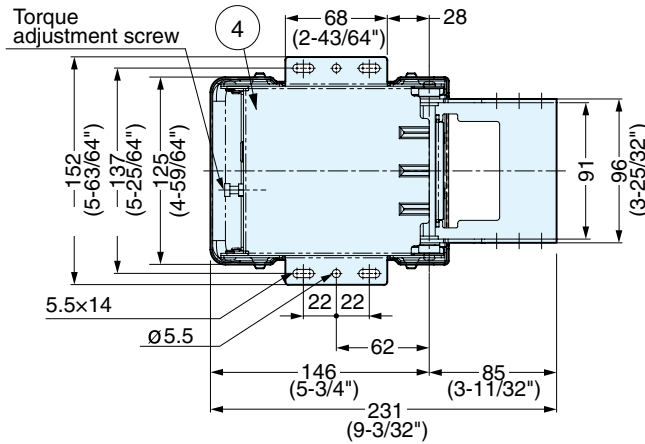
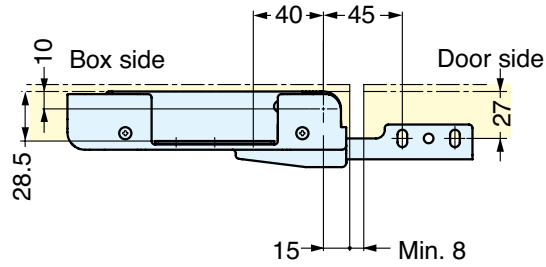
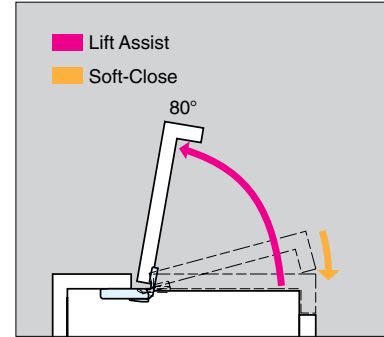
# POWER ASSIST HINGE

# HG-PA230, HG-PA231

HINGES  
POWER ASSIST HINGES



- Power assist hinge to reduce the effort to open the lid/door.
- Internal under mounted.
- Soft closing.
- Torque adjustable ( $\pm 11\%$ ).
- Two optional opening angles at 55 degrees or 80 degrees.



Item No.	Max Torque Angle	Torque per piece (kgf-cm)	Weight (g)
HG-PA230-15	20°	153 $\pm$ 10% (133 $\pm$ 10 % lbs-in)	1,296
HG-PA230-20		204 $\pm$ 10% (177 $\pm$ 10 % lbs-in)	
HG-PA230-25		255 $\pm$ 10% (222 $\pm$ 10 % lbs-in)	
HG-PA231-15	35°	153 $\pm$ 10% (133 $\pm$ 10 % lbs-in)	
HG-PA231-20		204 $\pm$ 10% (177 $\pm$ 10 % lbs-in)	
HG-PA231-25		255 $\pm$ 10% (222 $\pm$ 10 % lbs-in)	

No	Part Name	Material	Finish
①	Base A	430 Stainless Steel	-
②	Base B		
③	Cover	Polypropylene	Light Grey
④	Case	430 Stainless Steel	-
-	Angle stopper		-
-	Slider	Polycetal	-
-	Spring	Steel	-