

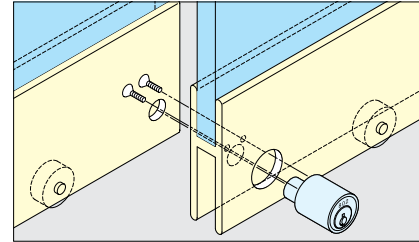
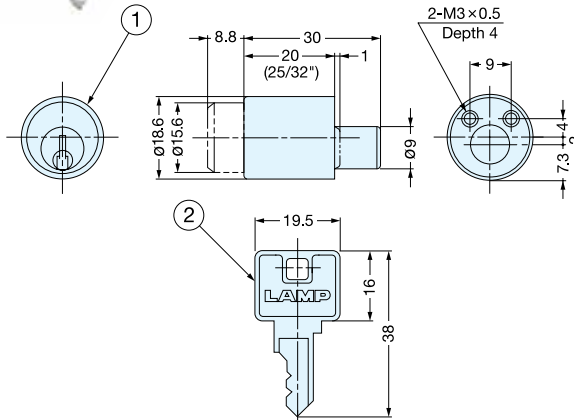
PUSH LOCK



2100B



- Zinc alloy cylinder push lock for metal-framed glass doors or sheet metal double sliding doors.
- Push cylinder to lock.
- Cylinder Diameter: 18.6 mm (47/64")
- Keys can be shared with other 2100 series locks.
- 12 key changes available. Please specify keyed alike or keyed differently when ordering.



No.	Part Name	Material	Finish
①	Body	Zinc Alloy	Satin Nickel
②	Key	Brass	Nickel

Item No.	Metal Frame Thickness	Cylinder Diameter	Key Changes	Keys Included	Weight (g)	Box (pcs)	Carton (pcs)
2100B	20 (25/32")	18.6 (47/64")	12	2	50	40	400

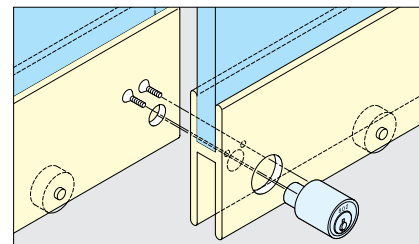
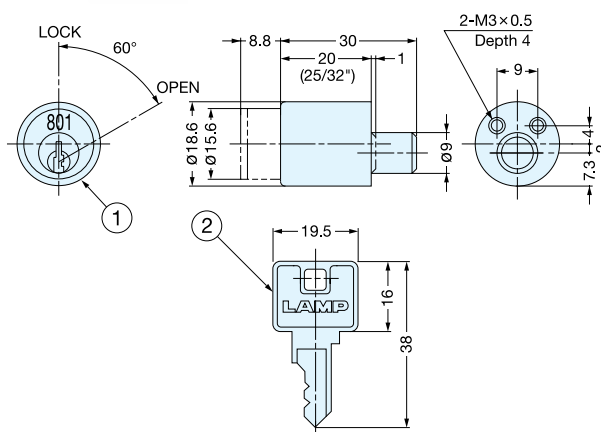
PUSH LOCK



2110B



- Zinc alloy cylinder push lock for metal-framed glass doors or sheet metal double sliding doors.
- Key is required to lock and to unlock.
- To Lock: Insert key and turn 60° clockwise.
- Push-in the cylinder and turn the key 60° back.
- Cylinder Diameter: 18.6 mm (47/64")
- Keys can be shared with other 2100 series locks.
- 12 key changes available. Please specify keyed alike or keyed differently when ordering.



No.	Part Name	Material	Finish
①	Body	Zinc Alloy	Nickel
②	Key	Brass	Nickel

Item No.	Metal Frame Thickness	Cylinder Diameter	Key Changes	Keys Included	Weight (g)	Box (pcs)	Carton (pcs)
2110B	20 (25/32")	18.6 (47/64")	12	2	50	40	400