

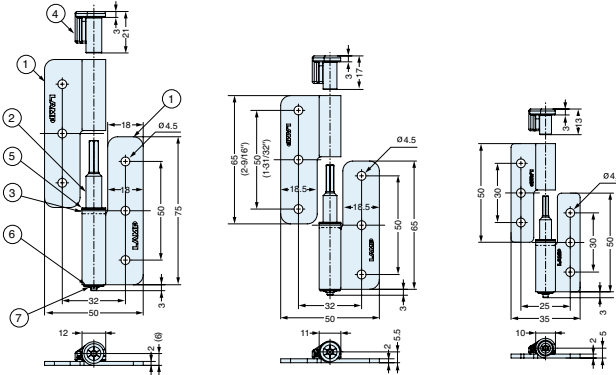
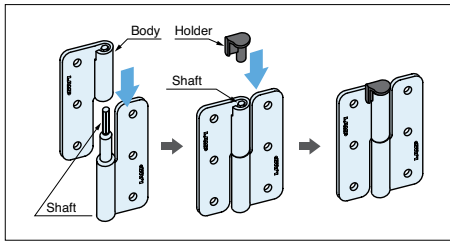
LIFT-OFF TORQUE HINGE

HG-KNT



HG-KNT3L

- Hinge with friction torque lift off feature for easy removal.
- Can be used horizontally.
- Passed 20,000 open/close cycle tests.



Item No.	Type	Torque per 2 pieces (kgf-cm)	Weight (g)	Box (pcs)	Carton (pcs)
HG-KNT3L	Left	3.1 (2.5 lbs-in) ± 20%	42	50	200
HG-KNT3R	Right				
HG-KNT7L	Left	7.1 (5.7 lbs-in) ± 20%	76	30	120
HG-KNT7R	Right				
HG-KNT16L	Left	16.3 (13.0 lbs-in) ± 20%	96	30	120
HG-KNT16R	Right				

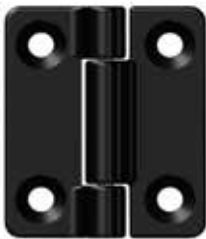
No	Part Name	Material	Finish
①	Body	304 Stainless Steel	Polished
②	Shaft		
③	Plug	Polyacetal	Black
④	Holder	Polyamide	
⑤	Washer A	PTFE	Natural
⑥	Washer B	Polyacetal	
⑦	Nut	Stainless Steel	-

COMPACT TORQUE HINGE



HG-MF

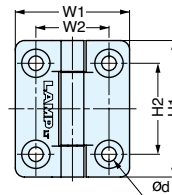
- Free stop hinge in compact profile.
- Passed 20,000 open/close cycle tests.



Black

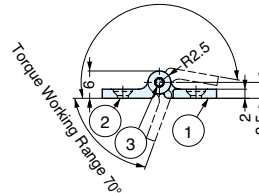


White

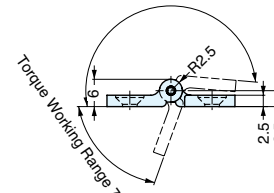


Torque Working Range 190°

Torque Working Range 185°



HG-MF08/HG-MF15



HG-MF25

Item No.	Color	W ₁	W ₂	H ₁	H ₂	t	d _φ	Torque per piece (kgf-cm)
HG-MF08-BL	Black	25	16	20	10	2.0	2.4	0.8 (0.64 lbs-in) ± 25%
HG-MF08-WT	White			30	20			
HG-MF15-BL	Black	28	18	40	25	2.5	3.2	1.5 (1.20 lbs-in) ± 33%
HG-MF15-WT	White							
HG-MF25-BL	Black	28	18	40	25	2.5	3.2	2.5 (2.00 lbs-in) ± 33%
HG-MF25-WT	White							

No	Part Name	Material	Finish
①	Body A	Polyacetal	Black/White
②	Body B		
③	Shaft	304 Stainless Steel	-

HINGES
LIFT-OFF TORQUE HINGE / COMPACT TORQUE HINGE