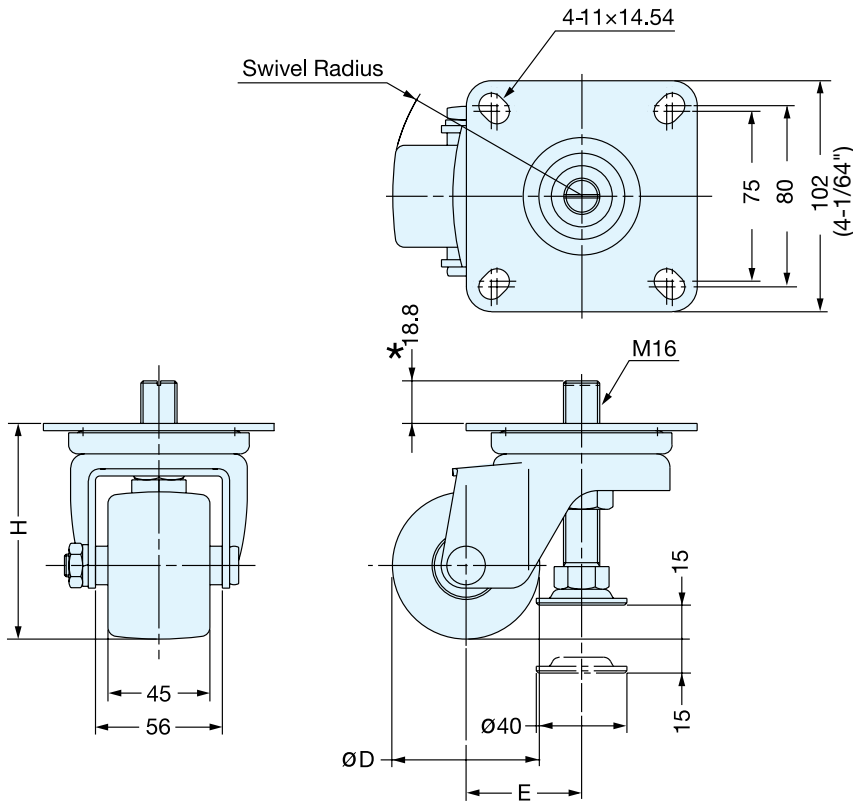
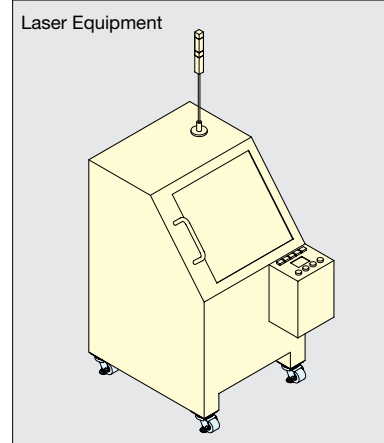
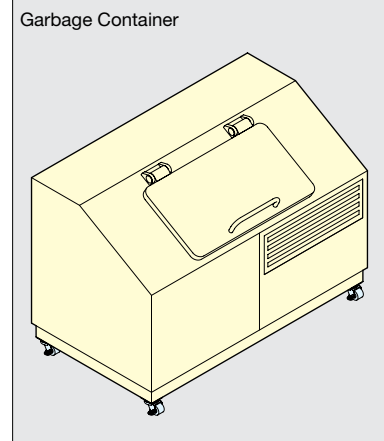
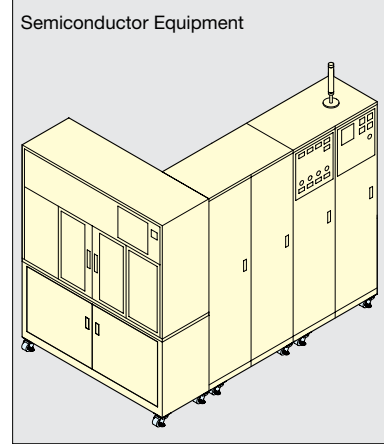


CASTER W/LEVELING GLIDE

LOAD CAPACITY
255 kg
561 lbs

AF-50, 65

- Heavy duty, low profile caster with integrated leveling glide.
- Allows solid support by leveler once equipment is in place.



*Round cut out or bore is required for bolt of leveler.

Installation

Part Name	Material	Finish
Body	Steel	Chrome
Wheel	Nylon	Black

Item No.	D	H	E	Swivel Radius	Load Capacity (kg)	Weight (g)	Box (pcs)	Carton (pcs)
AF-50	50 (1-31/32")	74 (2-59/64")	46	73	255 (561 lbs)	1205	18	180
AF-65	65 (2-9/16")	95 (3-47/64")	51	85		1335	12	120

CASTERS & LEVELING GLIDES

CASTERS WITH LEVELING GLIDES