

TWIN WHEEL CASTER (THREADED BOLT TYPE)

LOAD CAPACITY
50 kg
110 lbs

FA-45-NS, N

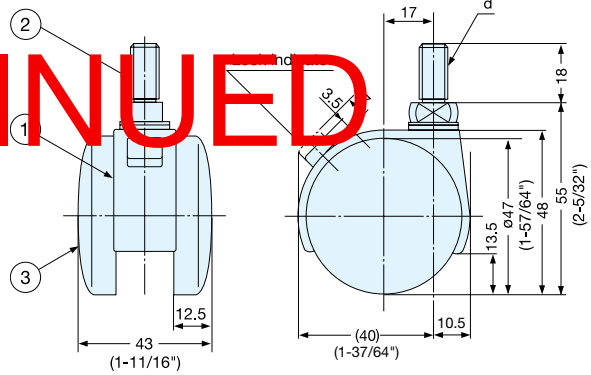
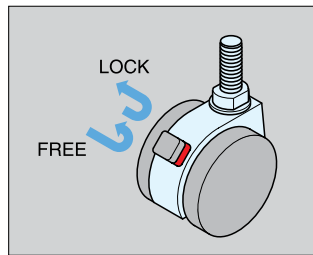
- Light & durable aluminum body construction.



FA-45-N
(w/o Brake)

FA-45-NS
(w/ Brake)

****DISCONTINUED**



Item No.		d	Load Capacity (kg)	Weight (g)	Box (pcs)	Carton (pcs)
FA-45-NS	w/Brake	W3/8-16UNC	50 (110 lbs)	100	4	100
FA-45-N	w/o Brake	W3/8-16UNC		97		

No.	Part Name	Material	Finish
①	Body	Aluminum Alloy	Silver
②	Threaded Bolt	Steel	Yellow Zinc Chromate
③	Wheel	Polyamide	Black

TWIN WHEEL CASTER (THREADED BOLT TYPE)

LOAD CAPACITY
40 kg
88 lbs

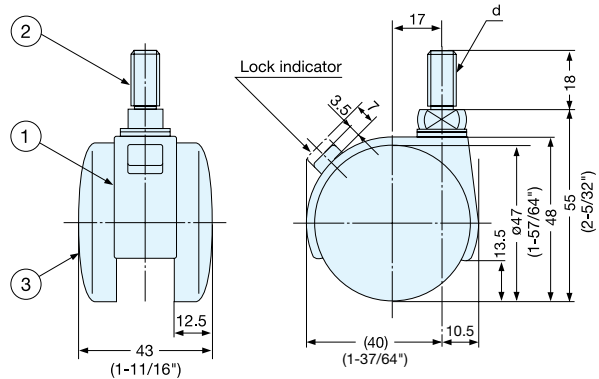
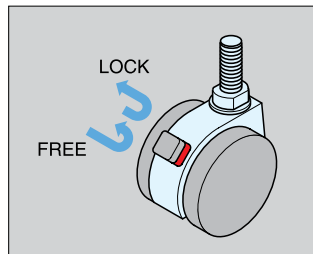
FP-45-NS, N

- Caster with high quality polyamide body.
- Excellent durability: chemical/weather/wear resistant.



FP-45-N
(w/o Brake)

FP-45-NS
(w/ Brake)



Item No.		d	Load Capacity (kg)	Weight (g)	Box (pcs)	Carton (pcs)
FP-45-NS	w/ Brake	W3/8-16UNC	40 (88 lbs)	84	4	100
FP-45-N	w/o Brake			79		

No.	Part Name	Material	Finish
①	Body	Polyamide	Black
②	Threaded Bolt	Steel	Yellow Zinc Chromate
③	Wheel	Polyamide	Black