

## TWIN WHEEL CASTER (PLATE TYPE)



## FA-55-PS, P

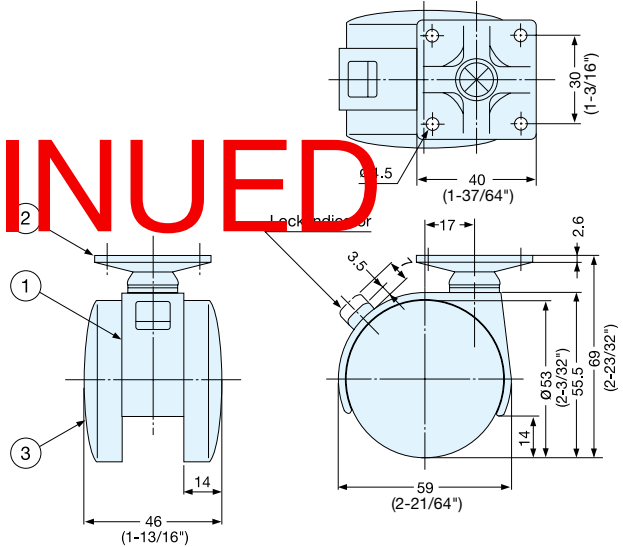
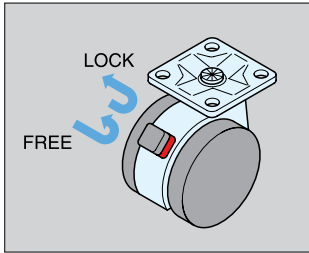
- Light & durable aluminum body construction.



FA-55-P  
(w/o Brake)

FA-55-PS  
(w/ Brake)

**\*\*DISCONTINUED\*\***



Item No.	Load Capacity (kg)	Weight (g)	Box (pcs)	Carton (pcs)
FA-55-PS w/Brake	80 (176 lbs)	176	4	72
FA-55-P w/o Brake		171		

No.	Part Name	Material	Finish
①	Body	Aluminum Alloy	Silver
②	Mounting Plate	Steel	Yellow Zinc Chromate
③	Wheel	Polyamide	Black

## TWIN WHEEL CASTER (PLATE TYPE)



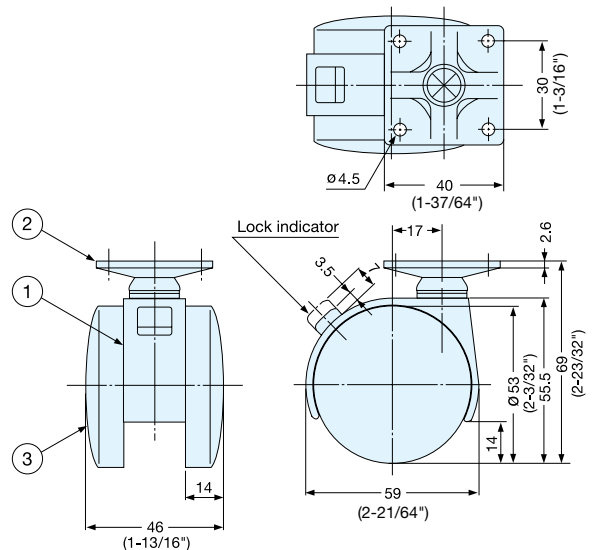
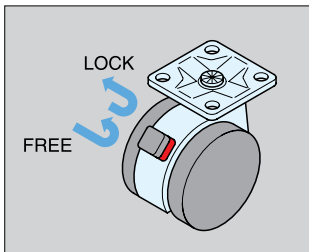
## FP-55-PS, P

- Caster with high quality polyamide body.
- Excellent durability: chemical/weather/wear resistant.



FP-55-P  
(w/o Brake)

FP-55-PS  
(w/ Brake)



Item No.	Load Capacity (kg)	Weight (g)	Box (pcs)	Carton (pcs)
FP-55-PS w/Brake	50 (110 lbs)	148	4	72
FP-55-P w/o Brake		144		

No.	Part Name	Material	Finish
①	Body	Polyamide	Black
②	Mounting Plate	Steel	Yellow Zinc Chromate
③	Wheel	Polyamide	Black