

LEVELING GLIDE (QUAKE ISOLATION)



LOAD CAPACITY
204~765 kg
448~1685 lbs

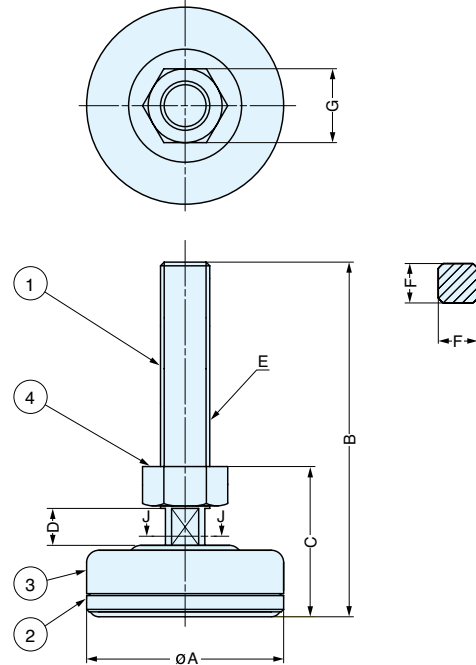
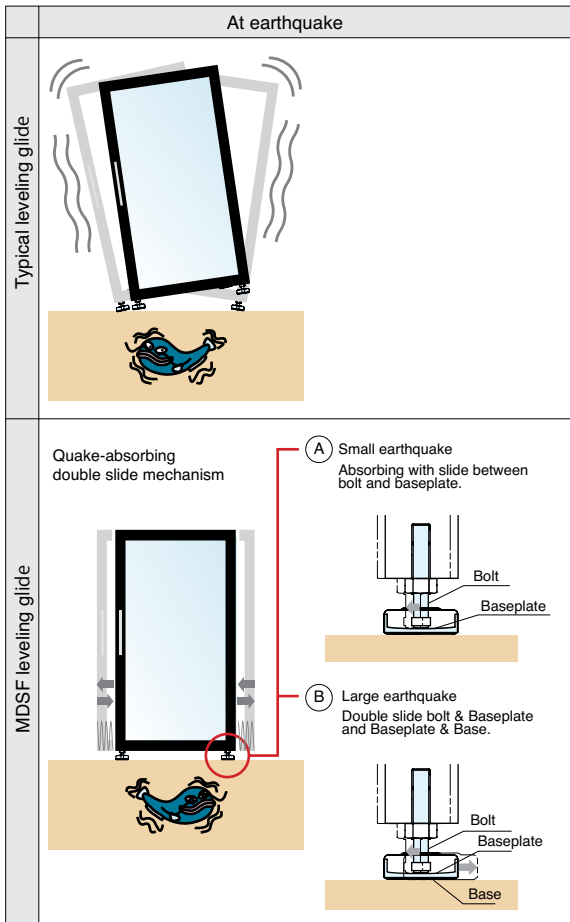
MDSF

- Designed for earthquake mitigation from damage of server enclosure, machinery or any similar equipment.



CASTERS & LEVELING GLIDES

LEVELING GLIDES



No.	Part Name	Material	Finish
①	Bolt	Steel	Nickel
②	Base	Steel + Teflon Resin	Nickel (Steel)
③	Cover	Nitrile Rubber	-
④	Hex Nut	Steel	Clear Zinc Chromate

Item No.	Max. Cabinet Size	Load Capacity (kgf/4pcs)
MDSF58-10-40	W410 × D630 × H390	204 (449 lbs)
MDSF58-16-80	W730 × D730 × H1460	510 (1120 lbs)
MDSF80-20-100	W1000 × D1000 × H2000	765 (1680 lbs)

Item No.	A	B	C	D	E	F	G	Weight (g)
MDSF58-10-40	58 (2-9/32")	65.5 (2-37/64")	34.5 (1-23/64")	7.5 (19/64")	M10	8 (5/16")	17 (43/64")	180
MDSF58-16-80		114.0 (4-31/64")	48.0 (1-57/64")	10.5 (13/32")	M16	13 (33/64")	24 (15/16")	300
MDSF80-20-100	80 (3-5/32")	144.0 (5-43/64")	61.0 (2-13/32")	15.0 (19/32")	M20	16 (5/8")	30 (1-3/16")	580