

SUPER HEAVY DUTY LEVELING GLIDE



ADHS, ADHSK

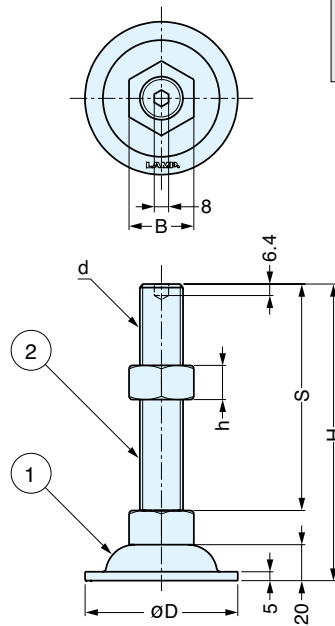
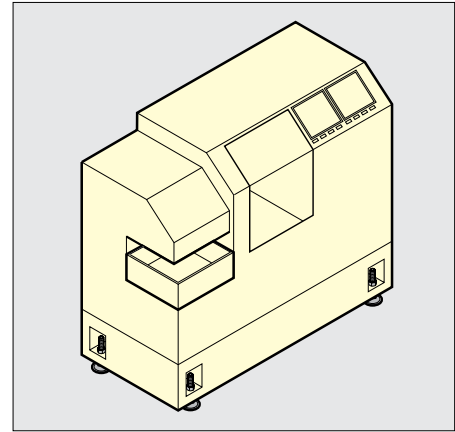
- Stainless steel or steel leveling glide for heavy machinery.
- ADHS-K series an anti galling coating that allows for a smooth adjustment either up or down.



ADHSK



ADHS
(304 Stainless Steel)



No.	Part Name	Material	Finish
①	Base	Stainless Steel	Satin
②	Bolt		

ADHS

Item No.	Load Capacity (kgf)	D	d	H	S	h	B	Weight (g)
ADHS-85-24-150	3000 (6600 lbs)	83 (3-17/64")	M24	189 (7-7/16")	150 (5-29/32")	19 (3/4")	36 (1-27/64")	970
ADHS-85-24-200	3500 (7700 lbs)			239 (9-13/32")	200 (7-7/8")			1080
ADHS-85-30-150	4000 (8800 lbs)		M30	194 (7-41/64")	150 (5-29/32")	24 (15/16")	46 (1-13/16")	1500
ADHS-85-30-200	4500 (9900 lbs)			244 (9-39/64")	200 (7-7/8")			1680

No.	Part Name	Material	Finish
①	Base	304 Stainless Steel	Satin
②	Bolt		Black

ADHSK

Item No.	Load Capacity (kgf)	D	d	H	S	h	B	Weight (g)
ADHS-85-24-150K	3000 (6600 lbs)	83 (3-17/64")	M24	189 (7-7/16")	150 (5-29/32")	19 (3/4")	36 (1-27/64")	970
ADHS-85-24-200K	3500 (7700 lbs)			239 (9-13/32")	200 (7-7/8")			1080
ADHS-85-30-150K	4000 (8800 lbs)		M30	194 (7-41/64")	150 (5-29/32")	24 (15/16")	46 (1-13/16")	1500
ADHS-85-30-200K	4500 (9900 lbs)			244 (9-39/64")	200 (7-7/8")			1680