

RECESSED HOOK



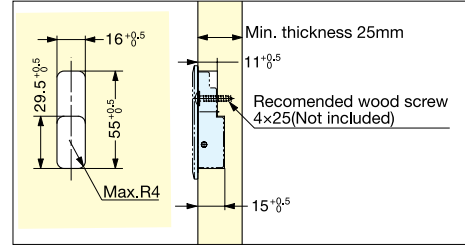
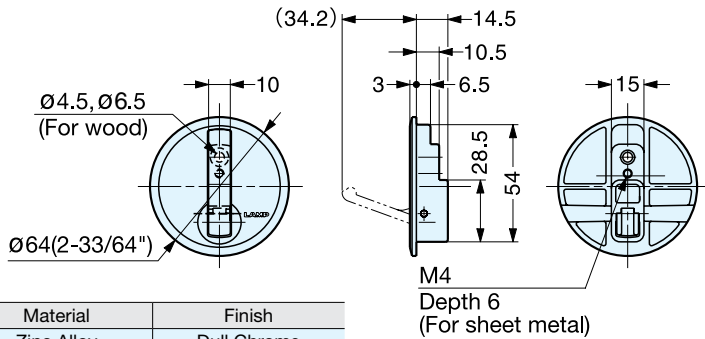
LOAD CAPACITY
20 kg
44 lbs

TEST 17
P.472

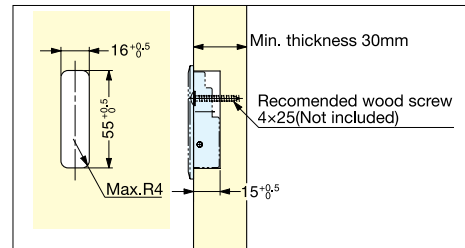
NF-R64



- Hook is spring loaded to retract.
- Ideal for vibration or shock application.
- Panel Thickness:
Wood: Minimum 25 mm (1")
Sheet metal: 0.8 ~ 1.6 mm
*With optional bracket NF-50.



Bore Dimensions
(For thickness over 25~29mm)



Bore Dimensions
(For thickness over 30mm)

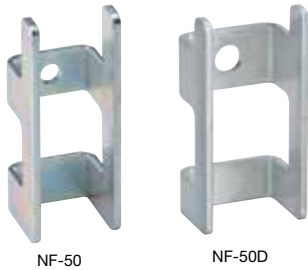
Material	Finish			
Zinc Alloy	Dull Chrome			
Item No.	Load Capacity (kg)	Weight (g)	Box (pcs)	Carton (pcs)
NF-R64	20 (44 lbs)	90	10	120

RECESSED HOOKS

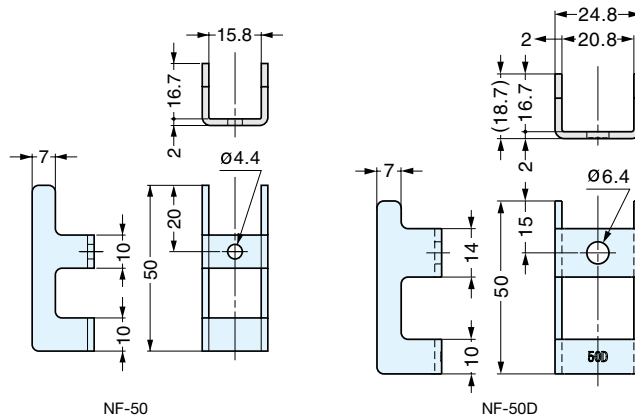
RECESSED HOOK SHEET METAL BRACKET (NF SERIES HOOKS)



NF-50, 50D



- Bracket for sheet metal applications of NF-R64, NF-60 and NF-60D.
- Parts Included;
- NF-50:
 - M4x20 stainless steel screw for NF-60
 - M4x14 stainless steel screw for NF-R64
- NF-50D:
 - M6x20 stainless steel screw



Item No.	Hook	Material	Finish	Weight (g)	Box (pcs)	Carton (pcs)
NF-50	NF-R64, NF-60	Steel	Yellow Zinc Chromate/Clear	22	20	400
NF-50D	NF-60D		Zinc Chromate	25		