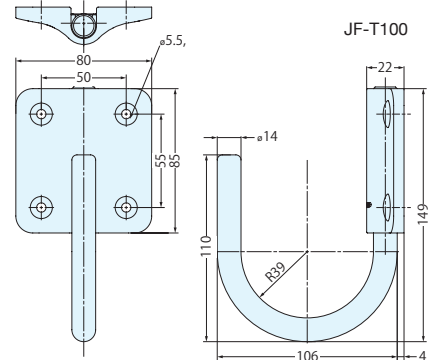
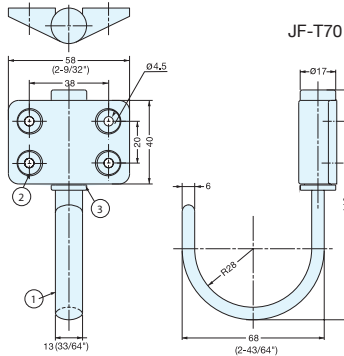
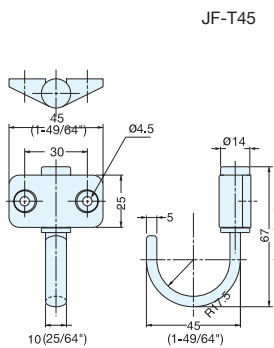
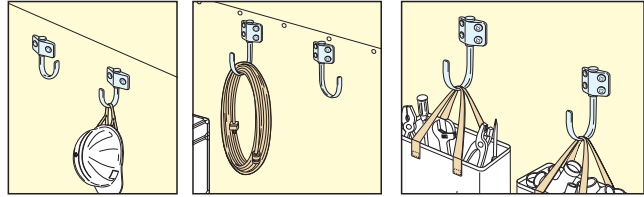


# SWING HOOK (W/FRICTION)



## JF-T

- Swivels 180 degrees.
- Hook has constant torque when swiveling.
- Ideal for vibration or shock applications.



Item No.	Load Capacity (kg)	Weight (g)	Box (pcs)	Carton (pcs)
JF-T45	17 (37 lbs)	90	10	100
JF-T70		225		
JF-T100	40 (88 lbs)	638	5	20

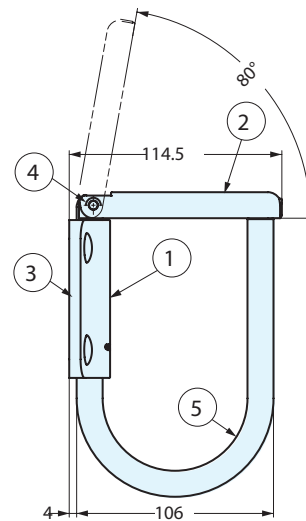
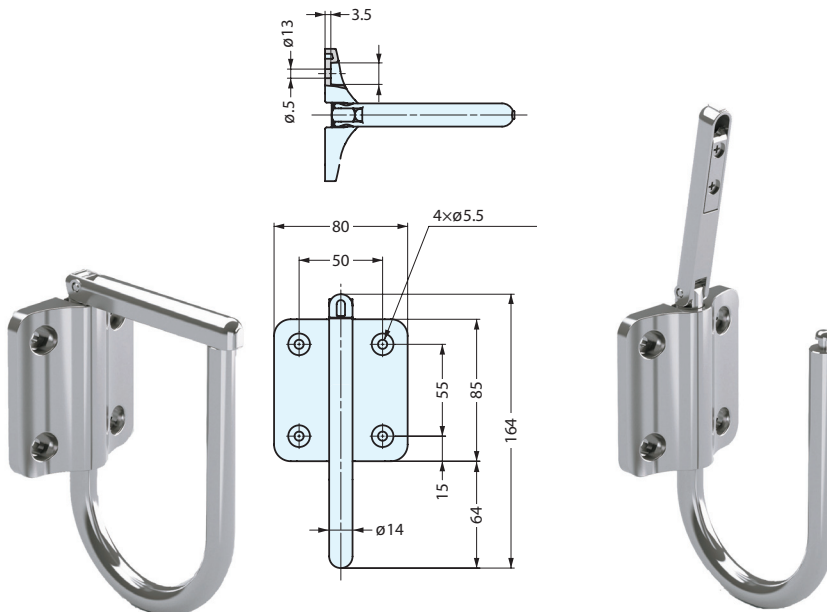
No.	Part Name	Material	Finish/Color
①	Hook	304 Stainless Steel	Mirror
②	Mounting Plate		
③	Bushing	POM	Black

# SWING LATCH HOOK (W/FRICTION)



## JN-T100

- Swivels 180 degrees.
- Hook has constant torque when swiveling.
- Ideal for vibration or shock applications.



Item No.	Load Capacity (kg)	Weight (g)	Box (pcs)	Carton (pcs)
JN-T100	40 (88 lbs)	780	5	20

No.	Part Name	Material	Finish/Color
①	Mounting Plate	304 Stainless Steel	Mirror
②	Arm		
③	Back Plate	303 Stainless Steel	Plain
④	Shaft		
⑤	Hook		Mirror