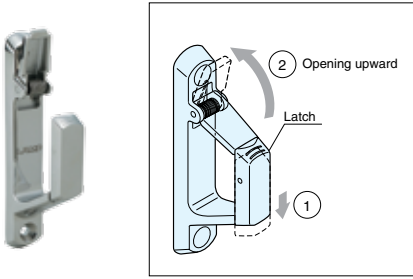


LATCH HOOK



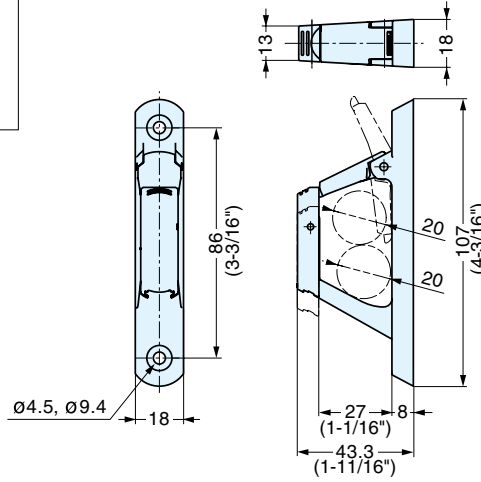
EN-E107



Upward opening position



Closed position Inward opening position



- Latch upward/downward opening.
- Upward latch opening allows increased hanging capacity.

Item No.	Load Capacity (kg)	Weight (g)	Box (pcs)	Carton (pcs)	Material	Finish
EN-E107	40 (88 lbs)	131	10	60	304 Stainless Steel	Polished

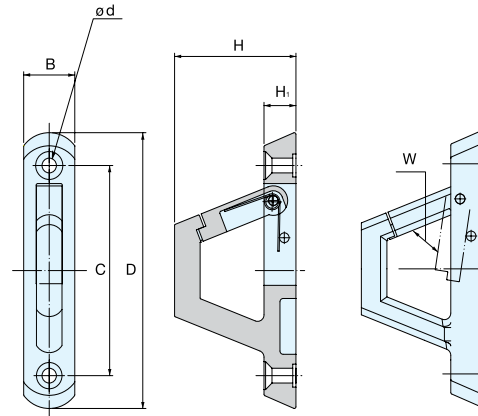
LATCH HOOK



EN-K



- Keeps items hooked, ideal for vibration or shock applications.



Material	Finish
316 Stainless Steel	Polished

Item No.	D	C	B	H	H ₁	d	W	Load Capacity (kg)		Weight (g)	Box (pcs)	Carton (pcs)
								Hook	Arm			
EN-K84	84 (3-5/16")	64 (2-33/64")	16 (5/8")	38 (1-1/2")	10 (25/64")	4.5, 8.5	Max.10	20 (44 lbs)	10 (22 lbs)	92	10	120
EN-K120	120 (4-23/32")	96 (3-25/32")	22 (7/8")	54 (2-1/8")	12 (15/32")	5.4, 10.5	Max.25	60 (132 lbs)		280		60