

COMBINATION HINGE



HG-VH8

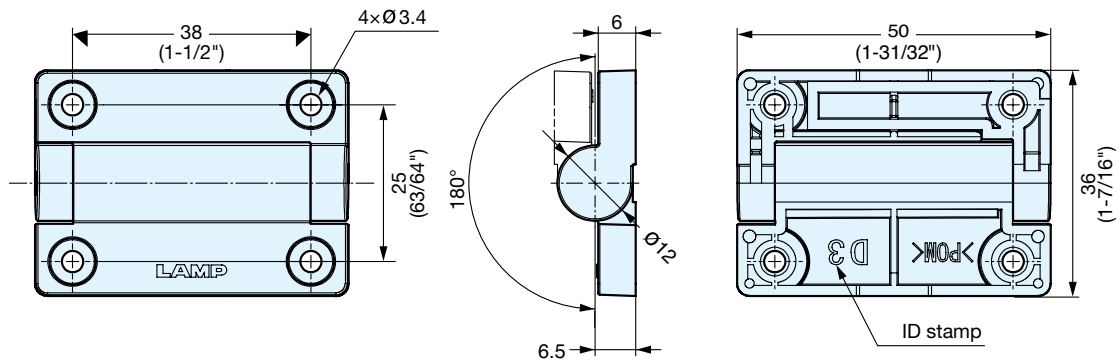
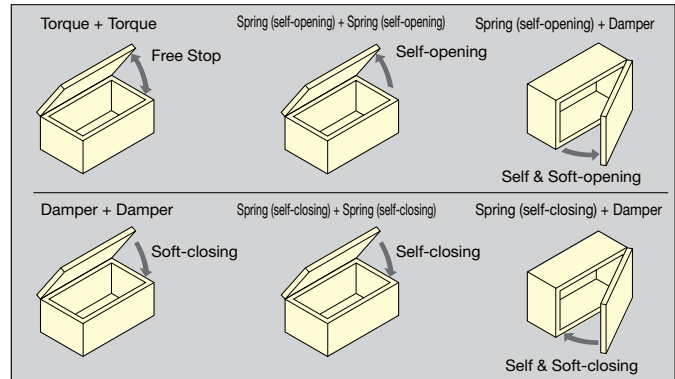


Black



White

- Hinges for light weight lids & doors.
- Various motions in same hinge case.
- Flexible combination.



*Increase of 0.16 kgf.cm for every 30° of rotation. Maximum rotation of 120°

Item No.	ID Stamp	Feature	Torque per piece (kgf.cm)	Opening angle	Material
HG-VH8-N-BL	N	Standard Movement	-	270°	Polyacetal
HG-VH8-N-WT					
HG-VH8-D3-BL	D3	Soft-Closing Damper	0.22~0.39 (0.19 ~ 0.34 lbs-in)		
HG-VH8-D3-WT					
HG-VH8-OP-BL	OP	Self-Opening Spring	0.16 kgf.cm ~ 0.64 kgf.cm* (0.14 ~ 0.56 lbs-in)		
HG-VH8-OP-WT					
HG-VH8-CL-BL	CL	Self-Closing Spring			
HG-VH8-CL-WT					
HG-VH8-T15-BL	T1	Free Stop	1.53±0.51 (1.33±0.44 lbs-in)		
HG-VH8-T15-WT					
HG-VH8-T35-BL	T3		3.57±1.02 (3.10±0.89 lbs-in)		
HG-VH8-T35-WT					