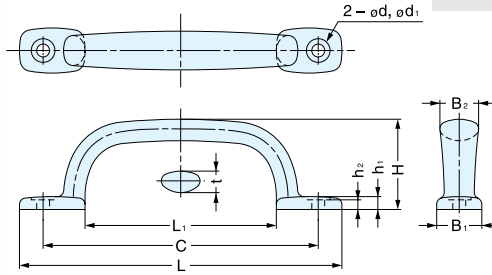


HANDLE



2LC

• Ideal for harsh and highly corrosive environments.



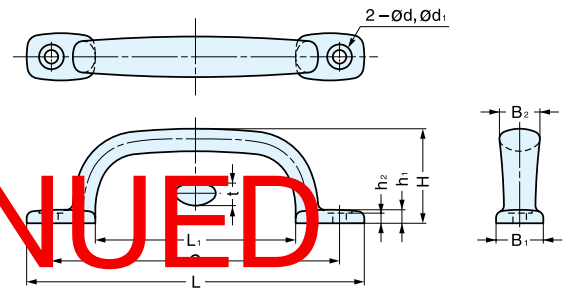
Material	Finish
316 Stainless Steel	Mirror

Item No.	L	L ₁	C	B ₁	B ₂	H	h ₁	h ₂	t	d	d ₁	Weight (g)	Box (pcs)	Carton (pcs)	Screw
2LC-80	80 (3-5/32")	32	64 (2-33/64")	16	14	35 (1-3/8")	5.5	4.0	8	5	9.5	70	12	144	4 x 20
2LC-120	120 (4-23/32")	64	96 (3-25/32")	18	16	36 (1-27/64")		4.5	9			106	8	96	
2LC-150	150 (5-29/32")	89	128 (5-1/32")	21	18	42 (1-42/64")	6.0	6.0	10	6	11.0	172	6	72	5 x 32
2LC-180	180 (7-3/32")	118	160 (7-3/32")	23	20	45 (1-49/64")						6.5	5.0	225	

HANDLE (TITANIUM)



2LC-TI



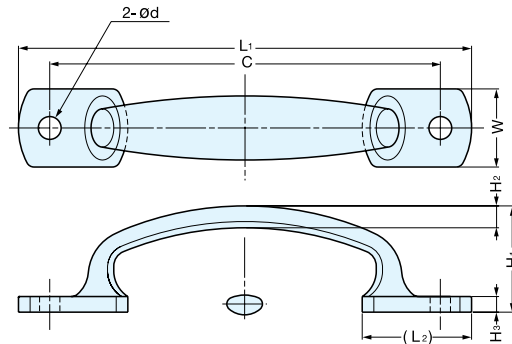
Material	Finish
Titanium	Shotblast

Item No.	L	L ₁	C	B ₁	B ₂	H	h ₁	h ₂	t	d	d ₁	Weight (g)	Box (pcs)	Carton (pcs)
2LC-80Ti	80 (3-5/32")	32	64 (2-33/64")	16	14	35 (1-3/8")	5.5	4.0	8	5	9.5	37	30	180
2LC-120Ti	120 (4-23/32")	64	96 (3-25/32")	18	16	36 (1-27/64")		4.5	9			62	20	120
2LC-150Ti	150 (5-29/32")	89	128 (5-1/32")	21	18	42 (1-42/64")	6.0	6.0	10	6	11.0	96	15	90

HANDLE



3LC



Item No.	L ₁	L ₂	W	H ₁	H ₂	H ₃	C	d	Weight (g)	Box (pcs)	Carton (pcs)
3LC-120	120 (4-23/32")	29	20	30 (1-3/16")	6	5	105 (4-9/64")	5.5	90	100	500
3LC-130	130 (5-1/8")	30	22	33 (1-19/64")	7	6	115 (4-17/32")		120		
3LC-145	145 (5-45/64")	35	25	34 (1-11/32")			6.5	155	80	400	

Material	Finish
316 Stainless Steel	Mirror