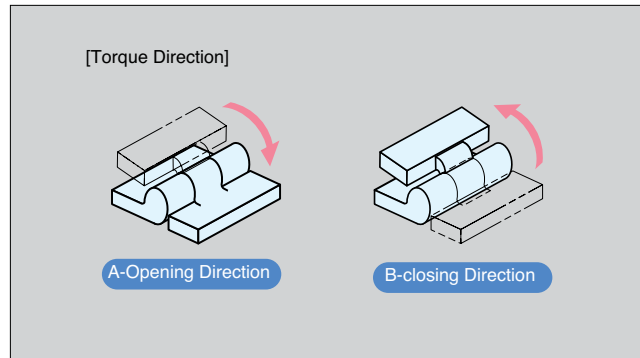
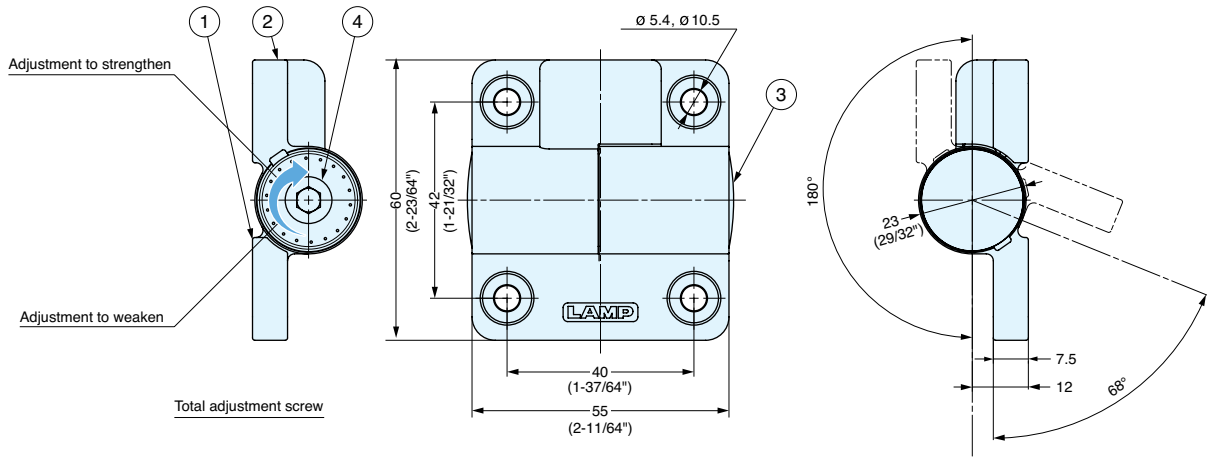
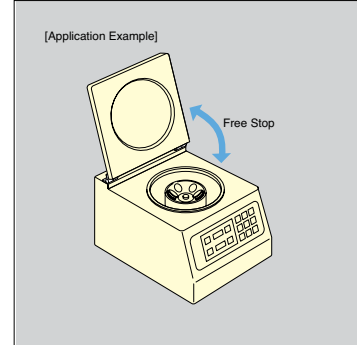
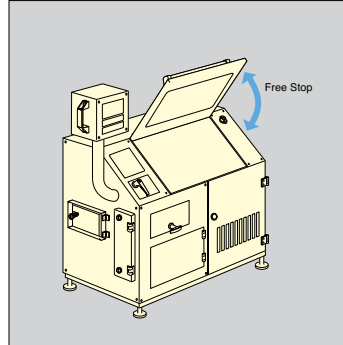


# ONE WAY TORQUE HINGE (ADJUSTABLE)



# HG-TQJ100

- Friction in one direction only.
- Torque strength adjustable.
- 2 versions available for friction torque at “opening” direction (type – A) and at closing direction (type – B).



Item No.	Torque Direction	Torque per piece (kgf-cm)	No.	Torque Direction	Material	Finish
HG-TQJ100-A	Opening	0~102 (0~88.7 lbs-in)	①	Bracket A	Zinc Alloy	Satin Chrome
HG-TQJ100-B	Closing		②	Bracket B		
			③	Cover Cap	Polypropylene	Dark Grey
			④	Torque adjustment screw	Steel	-