

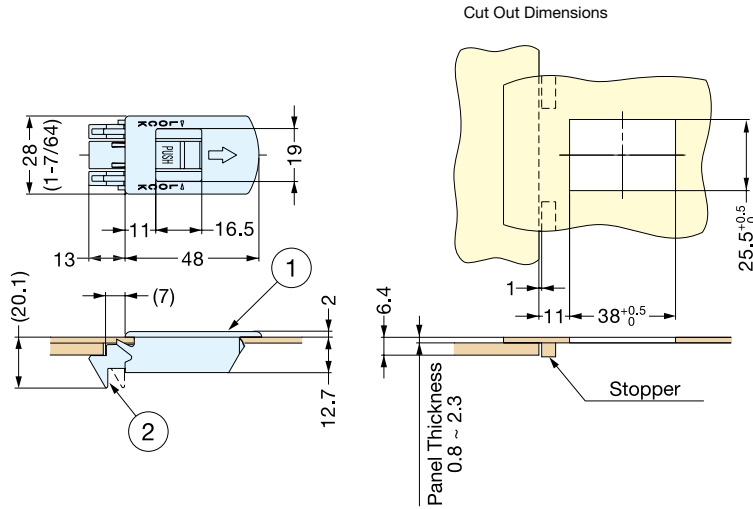
QUICK RELEASE PANEL FASTENER



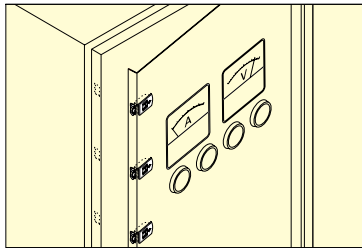
SX-48



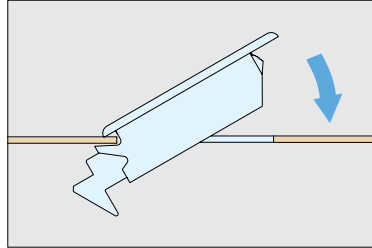
- Snap-in installation.
- Automatically latches when the panel is closed.
- Release multiple latches simultaneously with temporary hold-open feature.
(No need to depress latch when releasing)
- Components are plastic and features a 304 stainless steel spring to provide high corrosion resistance.
- Nonflammable.



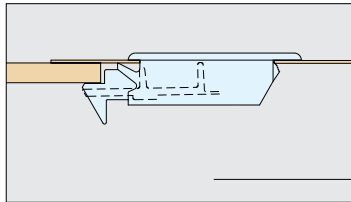
Use multiple latches.



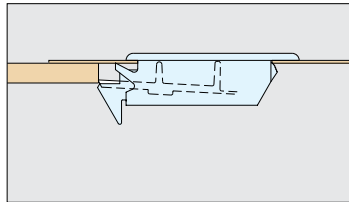
Snap into panel.



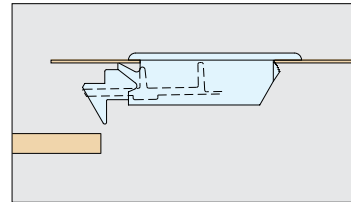
Operation



Locks when panel is closed.



Hold-Open Feature
Each latch will hold in an opened position allowing user to release multiple latches at the same time.



Lever & latch is reset when the panel opens.

Item No.	Panel Thickness (mm)	Retaining Force (kg)	Weight (g)	Box (pcs)	Carton (pcs)
SX-48	0.8~2.3	5 (12 lbs)	11	40	400

No.	Part Name	Material	Finish
①	Case	Polyamide (UL94V-0)	Silver
②	Latch	Polyacetal (UL94HB)	-
-	Spring	304 Stainless Steel	-