

PUSH LOCK FASTENER (LARGE/FLUSH TYPE)

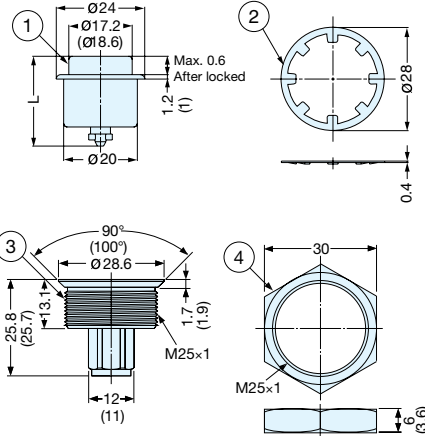
151F, 251F

PANEL MOUNTING SYSTEM

PUSH LOCK FASTENERS

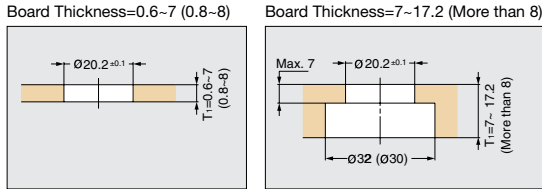


- 2 piece fastener allows for fast and easy access with complete removal of panel.
 - Attach socket into outer panel/plug into removable panel.
 - Insert plug into socket and push to lock/unlock.
- Flush locked design prevents snagging.
- Fastens plastic or sheet metal panels.



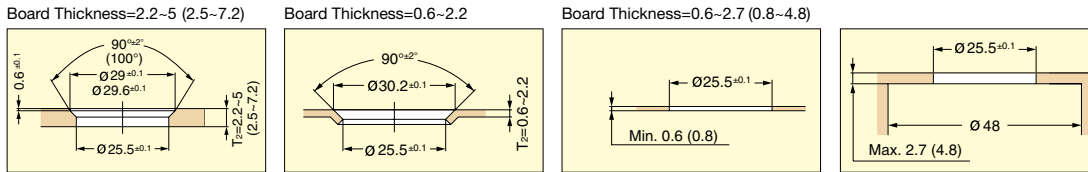
* () dimensions specific to 151F series

Preparation (Plug)



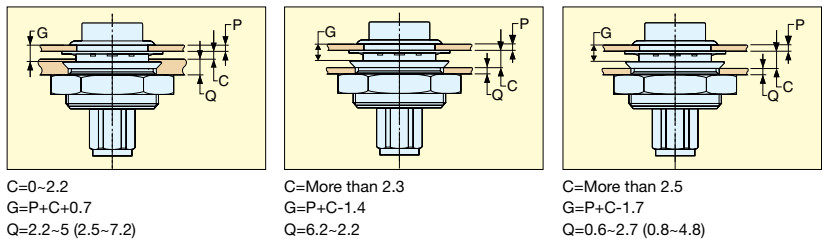
* () dimensions specific to 151F series

Preparation (Socket)

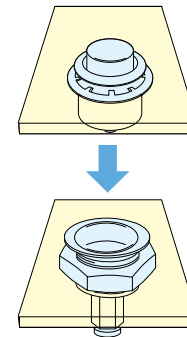


* () dimensions specific to 151F series

Grip Dimensions



* () dimensions specific to 151F series



151F

No.	Part Name	Material	Finish
①	Plug	Zinc Alloy	Chrome
②	Ring	Steel	-
③	Socket	Yellow Zinc Chromate	Chromate
④	Nut	Zinc Alloy	

251F

No.	Part Name	Material	Finish
①	Plug	Polyacetal	Black
②	Ring	Steel	
③	Socket	Polyacetal	
④	Nut		

Item No.	Grip Dimension G	Plug Dimension L	Retaining Force (kg)	Weight (g)
151F-01-2	1.2~2.0	20.5	25 (55 lbs)	15
151F-02-2	2.0~2.8	21.0		
151F-03-2	2.8~3.6	22.0		
151F-04-2	3.6~4.4	23.0		
151F-05-2	4.4~5.2	23.5		
151F-06-2	5.2~6.0	24.5		

Item No.	Grip Dimension G	Plug Dimension L	Retaining Force (kg)	Weight (g)
251F-01-3	1.2~2.0	20.5	25 (55 lbs)	15
251F-02-3	2.0~2.8	21.0		
251F-03-3	2.8~3.6	22.0		
251F-04-3	3.6~4.4	23.0		
251F-05-3	4.4~5.2	23.5		
251F-06-3	5.2~6.0	24.5		