

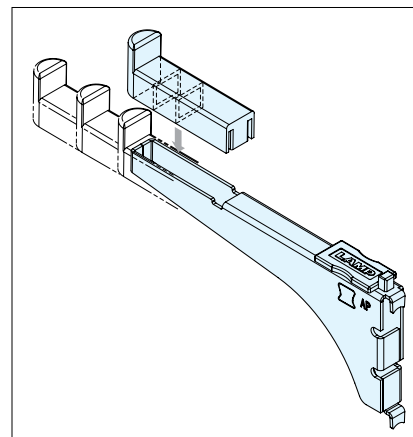
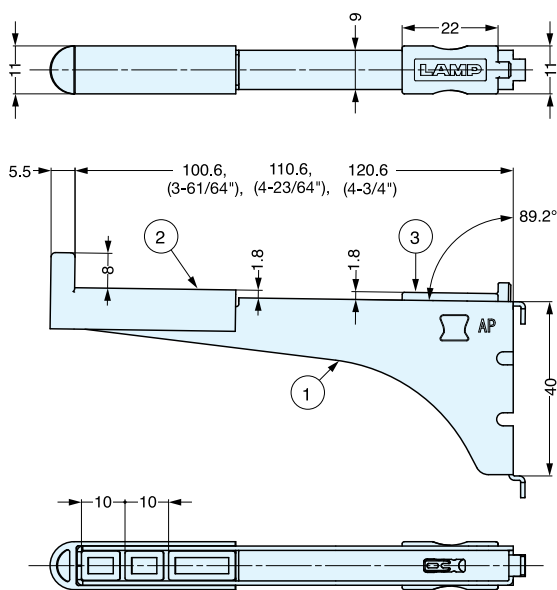
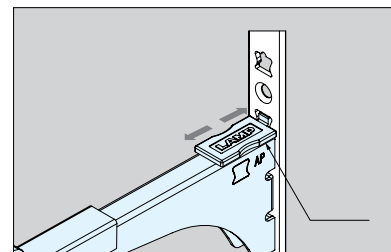
SHELF BRACKET



AP-FB120

BRACKETS
SHELF BRACKETS

- Adjustable shelf bracket for up to 3 different depths.
- For use with the AP-DM shelf standard (sold separately)
- Locking tab feature for additional retention.
- Can be used with glass.



Adjustable shelf bracket for up to 3 different depths.

Item No.	Shelf Thickness	Load Capacity	Weight (g)
AP-FB20	-	5 kgf/2 pieces	33

No.	Subcomponent	Material
①	Main Body	304 Stainless Steel
②	Shelf Retainer Clip	Polypropylene
③	Locking Tab	