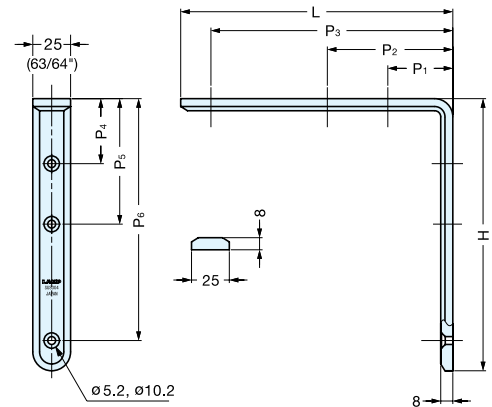


ANGLE BRACKET



XL-SA01

• Stainless steel bracket with soft and sleek design.



Material	Finish
304 Stainless Steel	Satin(S)/Mirror (M)

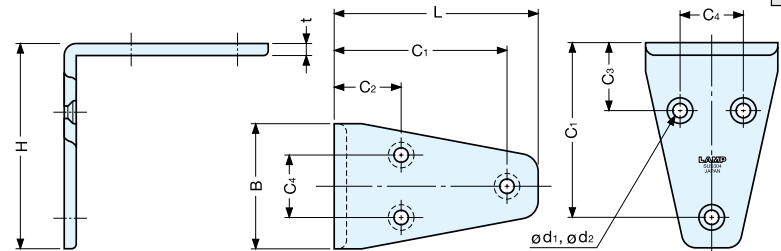
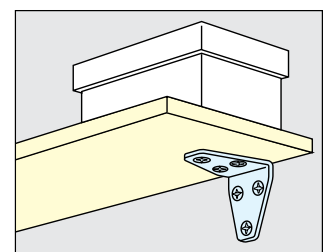
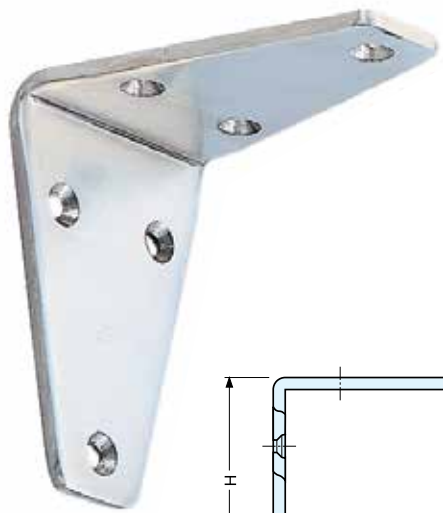
Item No.		L	H	P ₁	P ₂	P ₃	P ₄	P ₅	P ₆	Holes	Load Capacity (kg)	Weight (g)	Box (pcs)	Carton (pcs)
Satin	Mirror													
XL-SA01-120/S	XL-SA01-120/M	120 (4-23/32")	120 (4-23/32")	38	-	100	38	-	100	4	23 (50 lbs)	312	8	40
XL-SA01-150/S	XL-SA01-150/M	150 (5-29/32")	150 (5-29/32")	43	-	130	-	-	130	6	18 (39 lbs)	400	6	30
XL-SA01-180/S	XL-SA01-180/M	180 (7-3/32")	180 (7-3/32")		83	160	43	83	160		14 (30 lbs)	483		
XL-SA01-240/S	XL-SA01-240/M	240 (9-29/64")	240 (9-29/64")			220			220		12 (26 lbs)	660	4	20

ANGLE BRACKET



SV

• Stainless steel angle bracket for applications where corrosion is an issue.



Material	Finish
304 Stainless Steel	Mirror (M)/Satin (S)

Item No.		L	H	C ₁	C ₂	C ₃	C ₄	B	t	d ₁	d ₂	Holes	Load Capacity (kg)	Weight (g)	Box (pcs)	Carton (pcs)	Screw
SV-40/M	SV-40/S																
SV-55/M	SV-55/S	55 (2-11/64")	55 (2-11/64")	47	18	18	17	36.5 (1-7/16")		3.8	7.5	6	14 (31 lbs)	58	20	320	
SV-80/M	SV-80/S	80 (3-5/32")	80 (3-5/32")	71	24	24	27	52.0 (2-3/64")	4	4.3	8.5						