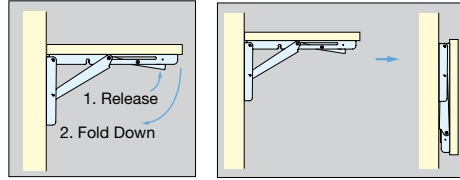
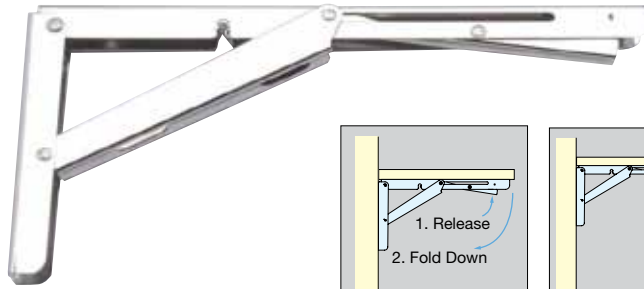


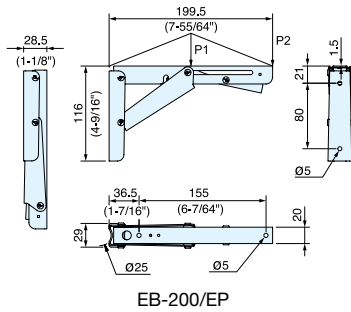
# FOLDING BRACKET



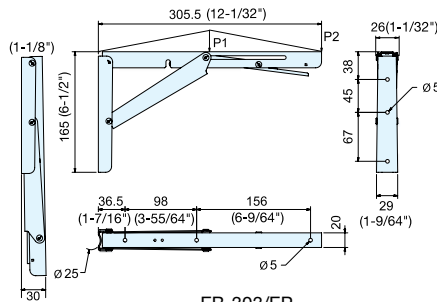
EB



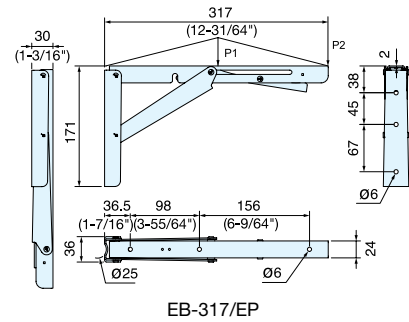
- Automatically locks when flap is in opened position.
- Press lever to release the lock.
- Bracket can be used without the need for hinges.
- Available in 3 different sizes.
- Only EB-303 is NSF.



EB-200/EP



EB-303/EP



EB-317/EP

Item No.	Load Capacity P1 (kg)	Load Capacity P2 (kg)	Weight (g)	Carton (pcs)	Part Name	Material
EB-200/EP	175 (385 lbs)	90 (198 lbs)	330	50	Main Body	304 Stainless Steel
EB-303/EP	150 (330 lbs)	75 (165 lbs)	515	25	Plate Spring	301 Stainless Steel
EB-317/EP	200 (440 lbs)	100 (220 lbs)	750	50	Rivet	302 Stainless Steel

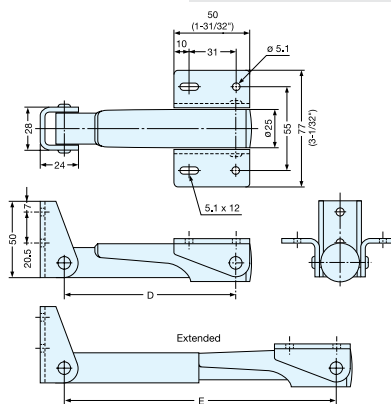
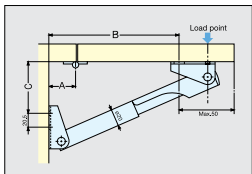
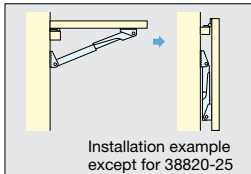
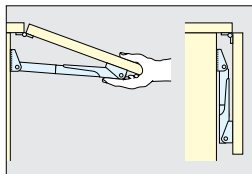
# FOLDING BRACKET



388



- Automatically locks when flap is in opened position.
- Press lever to release the lock.
- For panel thickness 15~35 mm (19/32"~1-3/8")
- Required Quantity:
  - Width up to 600 mm (23-5/8")...1 pc
  - Width 600~1300 mm (23-5/8"~51-3/16")...2 pcs



Material	Finish/Color
Aluminum	Anodized
	Black (BLK)

Item No.	A	B	C	D	E	Load Capacity (kg)	Weight (g)	Box (pcs)	Carton (pcs)
38820-25	25 ~ 30	161	15	114.0	180.0	35 ( 77 lbs )	149	5	50
38820-25/BLK									
38830-25	25 ~ 39	252	45	168.0	275.9	55 ( 121 lbs )	187		
38830-25/BLK									
38845-25	25 ~ 50	402	87	258.5	430.8	60 ( 132 lbs )	266	5	30
38845-25/BLK								5	50
38860-25	25 ~ 40	549	137	368.5	585.8	80 ( 176 lbs )	342	5	30
38860-25/BLK								5	50