

SLIDING DOOR LATCH

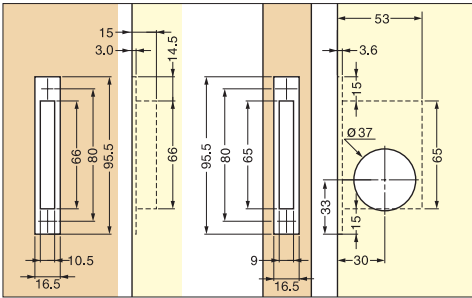


HC-30

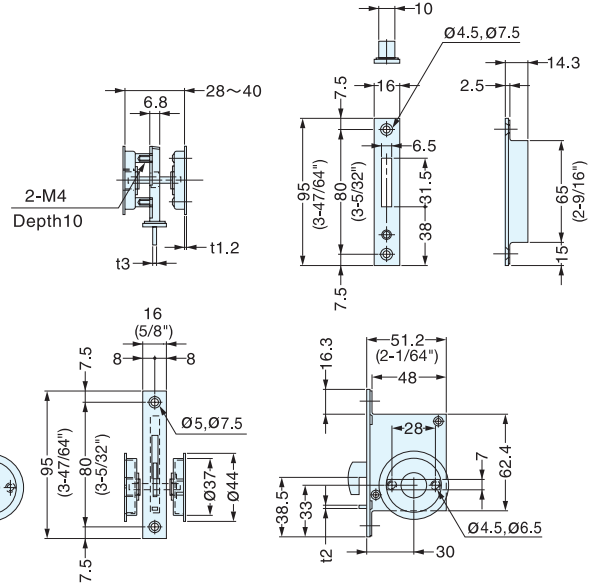


Opposite Side

- Slim design suitable for various applications.
- Non-Handed: Can be installed on left or right side.
- For door thickness 28~48 mm (1-1/8"~1-7/8").
- For sliding doors only.
- Extra spindle and screw included for 1-3/4" thick doors.



Bore Dimensions



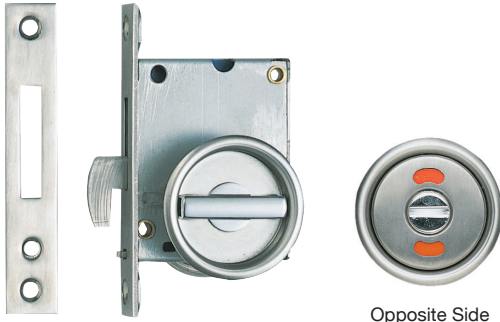
Item No.	Weight (g)	Box (pcs)	Carton (pcs)
HC-30	258	5	50

Material	Finish
304 Stainless Steel, Brass, Zinc Alloy	Satin

SLIDING DOOR LATCH W/INDICATOR

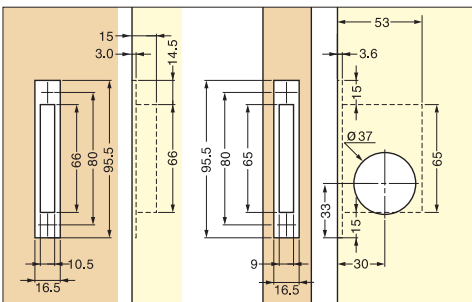


HC-30H

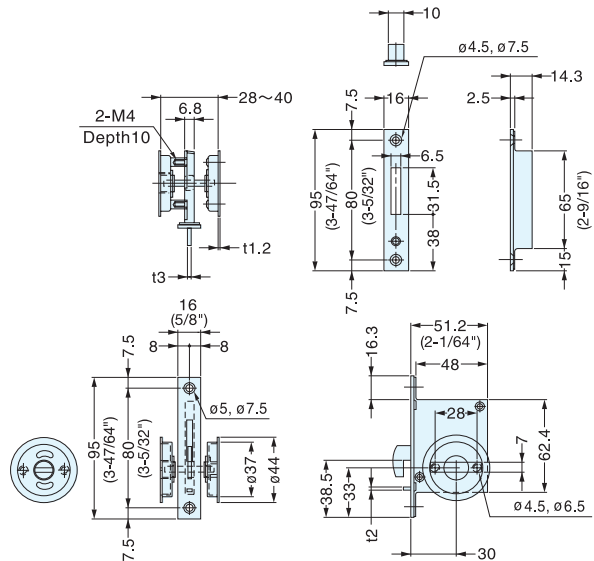


Opposite Side

- Door latch with indicator.
- Slim design suitable for various applications.
- Non-Handed: Can be installed on left or right side.
- For door thickness 28~48 mm (1-1/8"~1-7/8").
- For sliding doors only.
- Extra spindle and screw included for 1-3/4" thick doors.



Bore Dimensions



Item No.	Weight (g)	Box (pcs)	Carton (pcs)
HC-30H	259	5	50

Material	Finish
304 Stainless Steel, Brass, Zinc Alloy	Satin