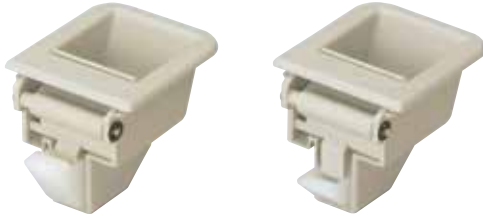


FLUSH SLAM LATCH

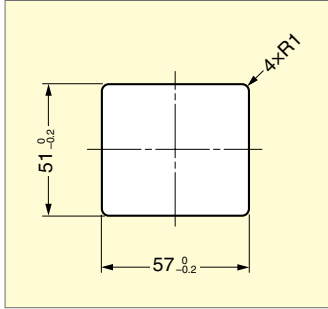


ATL-64

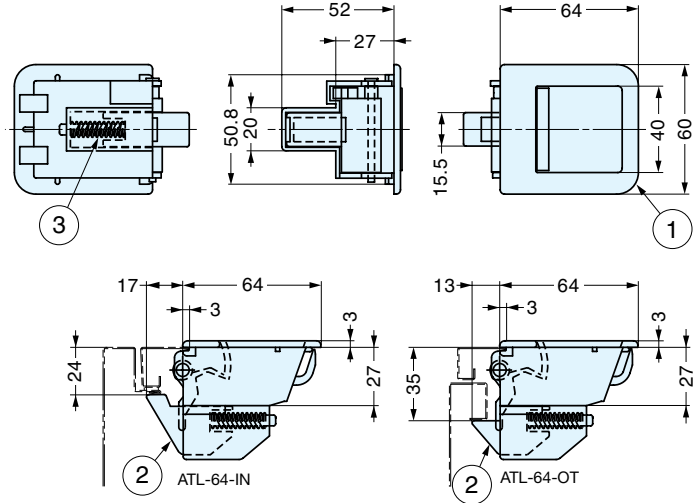


ATL-64-IN

ATL-64-OT



Cut Out Dimensions



- Door latches when closed.
- Pull lever to release latch when opening door.
- Auto lock feature.
- For use with 0.7-1 mm thick material.

Item No.	Application	For use with panels	weight
ATL-64-IN	Inset	0.7-1mm	44.5g
ATL-64-OT	Overlay		

No.	Part Name	Material	Finish/Color
①	Main Body	ABS Plastic	Off white
②	Latch	Polyamide	
③	Spring	304 Stainless Steel	Plain

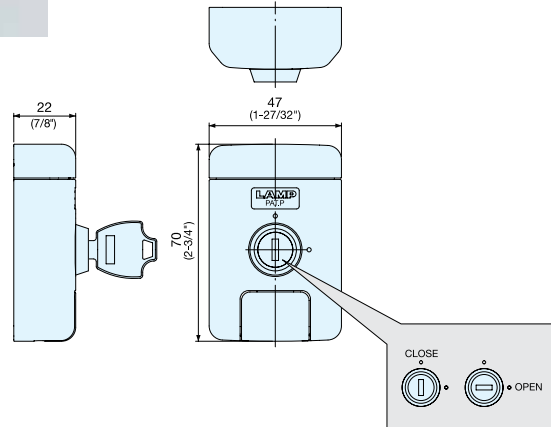
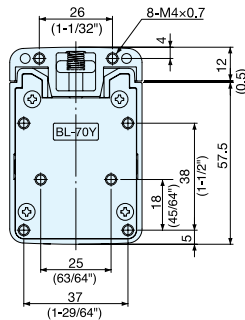
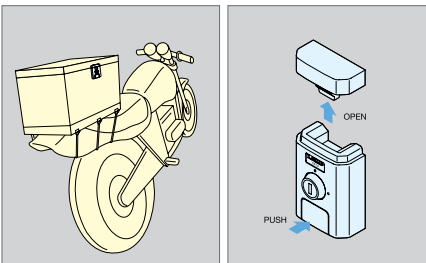
BOX LATCH (W/LOCK)



BL-70Y



- Latch ideal for box and case.
- Automatically latches lid when closed.
- Push button to release.
- Includes 2 keys.
- 5 key changes available upon request.



Item No.	Weight (g)	Box (pcs)	Carton (pcs)
BL-70Y	220	5	50

Part Name	Material	Finish/Color
Body, Strike	Zinc Alloy	Silver
Push Button	ABS	Grey