

FLUSH SLAM LATCH

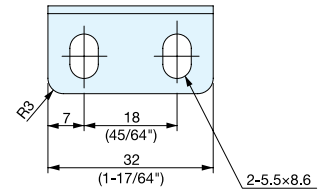
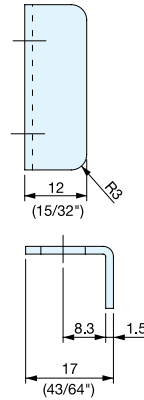
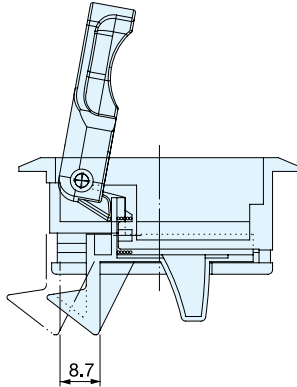
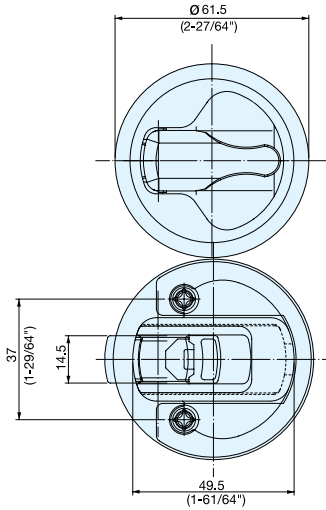
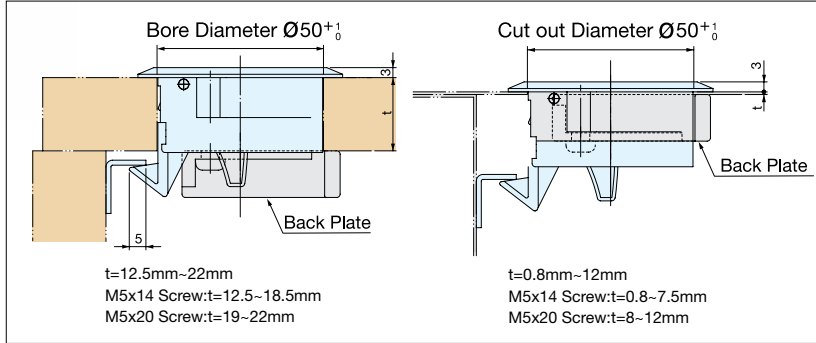


LJ-61

CATCHES & LATCHES
FLUSH SLAM LATCHES



- Door will be latched when closed.
 - Pull lever to open.
 - Non-Handed: Can be installed on left or right side.
 - Easy installation.
- Insert the latch body through single round cutout or bore section and screw-on the back plate. Back plate is designed to accommodate door thickness 0.8mm ~ 12mm, and also 12.5mm ~ 22mm by flipping over the back plate.



Item No.	Weight (g)	Box (pcs)	Carton (pcs)	Part Name	Material	Finish/Color
LJ-61/BLK	450	10	100	Body/Spring	Polyacetal, Polycarbonate, 304/316 Stainless Steel	Black/White
LJ-61/WHT				Counterplate	316 Stainless Steel	Satin

Advantages - Design, Use, Environment

<p>■ User Friendly</p> <p>Allows user a safe application that will inspire confidence in the user operation</p>	<p>■ Smooth</p> <p>Products with movable components can favorably shape the user perception.</p>	<p>■ Controlled</p> <p>Many products are designed with an intention to give the user simple control: open, close, lock, lift, etc..</p>	<p>Soft-close technology in lid-stays, door hinges, and compact configurations are applicable to a large range of products in various industries.</p> <p>Torque and damping technology allow the user enhanced precision and control over movable components.</p>
--	---	--	---