

CORNER FASTENER



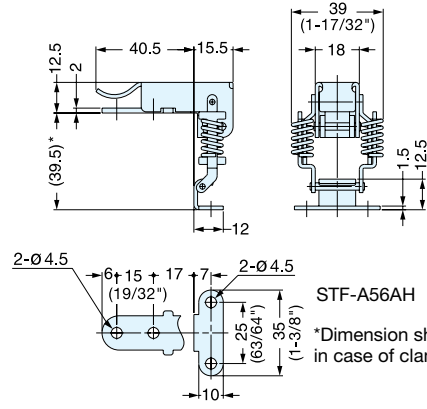
STF-A56AH, AC



STF-A56AH

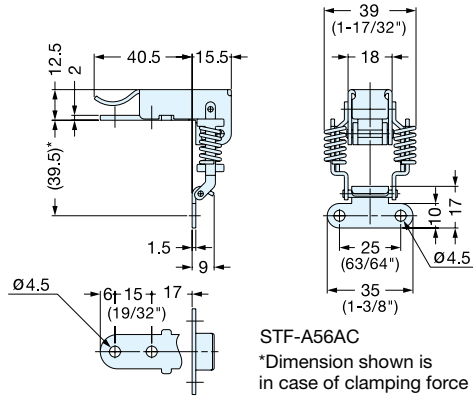


STF-A56AC



STF-A56AH

*Dimension shown is in case of clamping force "0".



STF-A56AC

*Dimension shown is in case of clamping force "0".

- Latch mounts on corner to draw perpendicular surfaces together.
- Designed to allow front operation.
- Available in two different counterplate styles.
- Provides constant holding tension for secure latching.

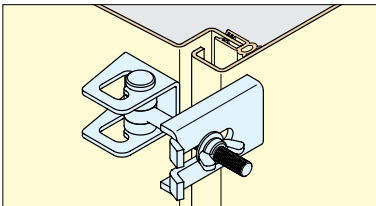
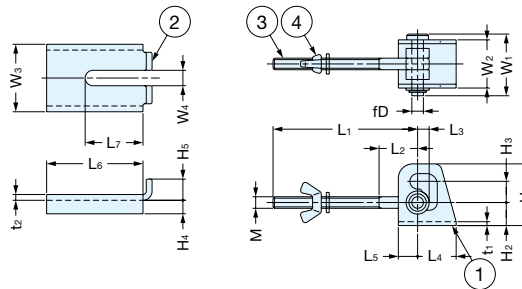
Material	Finish		
304 Stainless Steel	Polished		
Item No.	Weight (g)	Box (pcs)	Carton (pcs)
STF-A56AH	56	100	1000
STF-A56AC			

ADJUSTABLE DRAW LATCH

CHN



- Exposed threaded rod allows adjustment of latching distance.



No.	Part Name	Material	Finish
①	Body	CHN-S: 304 Stainless Steel	Bead Blasting
		CHN-Y: Steel	Chromate
②	Counterplate	CHN-S: 304 Stainless Steel	Bead Blasting
		CHN-Y: Steel	Chromate
③	Bolt	304 Stainless Steel	-
④	Nut		-

Item No.	L1	L2	L3	L4	L5	L6	L7	W1	W2	W3	W4	H1	H2	H3	H4	H5	t1	T2	øD	M	Weight (g)
CHN-75S	75	20	6	20	10	50	30	31.5	25	35	8	32	12	11	10	8	2.0	3.0	6	M6	125
CHN-80S	80	25	8	25	13	60	40	37.5	30	40	10	40	15	14	12					8	3.0
CHN-90S	90	30	10	30	15	75	50	45.0	35	45	12	50	20	17	14	10	3.0	4.0	10	M10	390
CHN-75Y	75	20	6	20	10	50	30	31.5	25	35	8	32	12	11	10	8	2.3	3.2	6	M6	125
CHN-80Y	80	25	8	25	13	60	40	37.5	30	40	10	40	15	14	12					8	4.0
CHN-90Y	90	30	10	30	15	75	50	45.0	35	45	12	50	20	17	14	10	3.0	4.0	10	M10	390