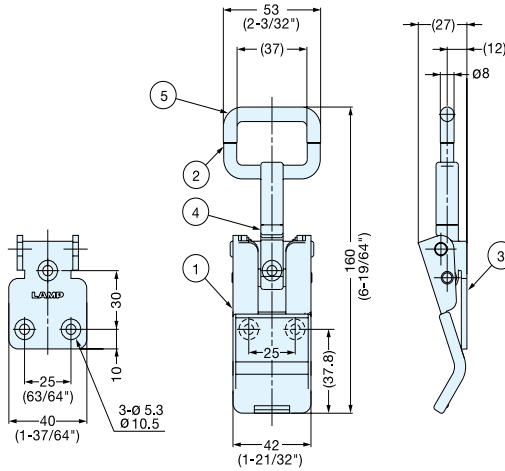


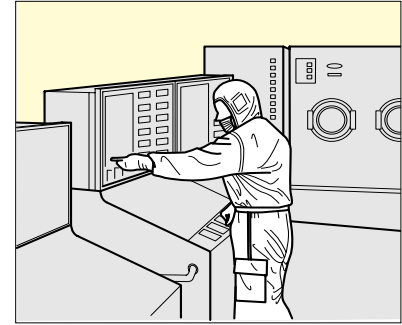
# DRAW LATCH (CLEAN ROOM)



## STF-CV150



- No metal-to-metal contact.
- Ideal for clean room, semiconductor, and food industry applications.
- When used in combination with the TF40C Counterplate (below) will have 300kg load capacity.



Item No.	Load Capacity (kg)	Weight (g)	Finish
STF-CV150	330 (727 lbs)	248	Satin
STF-CV150M			Mirror

No.	Part Name	Material
①	Handle	316 Stainless Steel
②	Hook	SCS14 Stainless Steel (Similar to SUS316)
③	Base	316 Stainless Steel
④	Hook Screw	SCS14 Stainless Steel (Similar to SUS316)
⑤	Handle Cover	Polypropylene

# HEAVY DUTY COUNTERPLATE

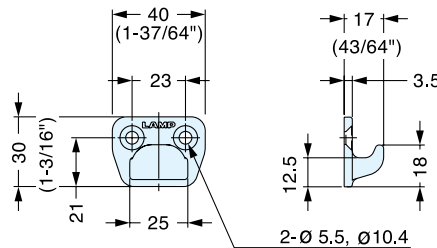


## TF40C

- Heavy duty center plate for STF-CV150 clean room draw latch.



TF40C-ST



Item No.	Weight (g)	Box (pcs)	Carton (pcs)	Material	Finish
TF-40C-ST	48	5	20	SCS14 Stainless Steel (Similar to SUS316)	Satin
TF-40C-STM					Mirror