

PUSH KNOB LATCH

TEST 11
P471

3x16
3x20
STEEL

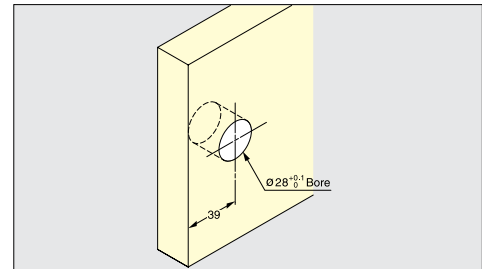
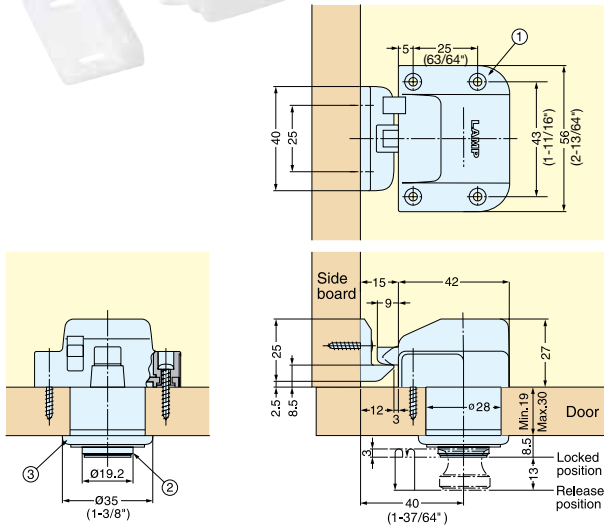
TLP

CATCHES & LATCHES

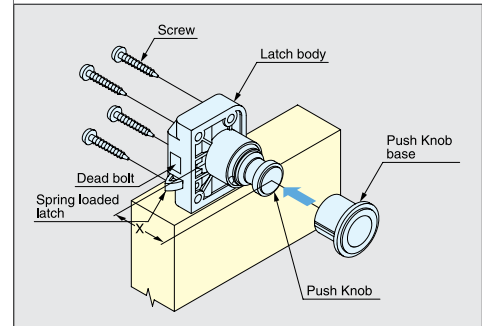
PUSH KNOB LATCHES



- Knob and Latch combined:
 - Knob is stored flush when pushed in and not in use.
 - Knob pops out when pressed to open the door.
 - Latch securely locks the door with deadbolt.
- Door Thickness: 19 mm~30 mm (3/4" - 1-3/16").
- Holding Force: 20 kg (44 lbs)
- Non-Handed: Can be installed on left or right side.
- Order Instructions:
 - Order Latch Body (TLP-LBM/WHT) and Push Knob (TLP- BB/XX) for complete set.



Bore Dimensions (Inset Door Application)



Supplied with 2 threaded screws (L=24mm and 30mm).

No.	Part Name	Material	Finish/Color	
			Knob	Latch
①	Latch Body	Polyamide	Satin Brass (SB)	White
②	Push Button	Brass	Satin Nickel (SN)	
③	Push Button Base	Zinc Alloy	Polished Brass (PB)	
			Chrome (CR)	

Item No.	Part Name	Holding Force (kg)	Weight (g)	Box (pcs)	Carton (pcs)
TLP-BB/SB	Push Knob and Base	20 (44 lbs)	77	25	200
TLP-BB/SN					
TLP-BB/PB					
TLP-BB/CR					
TLP-LBM/WHT	Latch Body		33	10	100

Threaded screw	Door Thickness	Dimension X
L=24	19 (3/4")	40.5 (1-19/32")
	20 (25/32")	41.5 (1-5/8")
	21 (53/64")	42.5 (1-43/64")
	22 (7/8")	43.5 (1-23/32")
	23 (29/32")	44.5 (1-3/4")
	24 (15/16")	45.5 (1-51/64")
L=30	25 (63/64")	46.5 (1-53/64")
	26 (1-1/32")	47.5 (1-7/8")
	27 (1-1/16")	48.5 (1-29/32")
	28 (1-3/32")	49.5 (1-61/64")
	29 (1-9/64")	50.5 (1-63/64")
	30 (1-3/16")	51.5 (2-1/32")