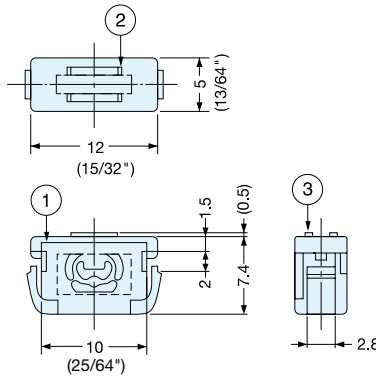
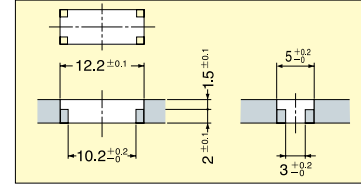


MINI MAGNETIC CATCH (SNAP-IN TYPE)

MMC-12



- Snap-in magnetic catch for plastic case applications.
- Small size for light weight applications.



Cut Out Dimensions

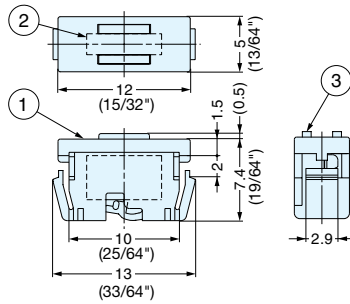
Item No.	Magnetic Force (kg)	Weight (g)	Box (pcs)	Carton
MMC-12	0.1~0.3 (0.22~0.66 lbs)	1	200	2000

No.	Part Name	Material	Finish/Color
①	Housing	Polyamide	Black
②	Magnet	Ferrite	-
③	Yoke	Steel	Black Zinc

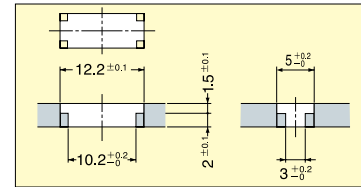
MINI MAGNETIC CATCH (SNAP-IN TYPE)



CM-2B



- Snap-in installation.
- Small size for light weight applications.



Cut Out Dimensions

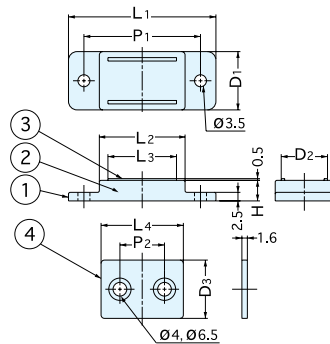
Item No.	Magnetic Force (kg)	Weight (g)	Box (pcs)
CM-2B	0.4 (0.9 lbs)	1	200

No.	Part Name	Material	Finish/Color
①	Housing	Polyamide	Black
②	Magnet	Ferrite	-
③	Yoke	Steel	Black Zinc

MAGNETIC CATCH



MC-111, 112, 113



- Low profile design is ideal for tight spaces.
- Only MC-111/BLK, MC-111/IVY, MC-113/BLK, MC-113/IVY are ROHS compliant.

Item No.		Magnetic Force (kg)	L ₁	L ₂	L ₃	L ₄	D ₁	D ₂	D ₃	P ₁	P ₂	H	Weight (g)	Box (pcs)	Carton (pcs)
Black	Ivory														
MC-111/BLK	MC-111/IVY	5 (11.0 lbs)	64 (2-33/64")	46	42	45 (1-49/64")	24.5 (31/32")	21.0	24 (15/16")	55	30	7.0	48	50	500
MC-112/BLK	MC-112/IVY	3 (6.6 lbs)	53 (2-5/64")	35	31	34 (1-11/32")	23.5 (59/64")	20.0	23 (29/32")	44	20	6.2	32	100	1000
MC-113/BLK	MC-113/IVY	1 (2.2 lbs)	43 (1-11/16")	25	20	24 (15/16")	17.0 (43/64")	13.5	17 (43/64")	34	13	6.0	14	100	1000

No.	Part Name	Material	Finish/Color
①	Housing	ABS	Black (BLK)/Ivory (IVY)
②	Magnet	Ferrite	-
③	Yoke	Steel	Yellow Zinc Chromate
④	Counterplate		Nickel