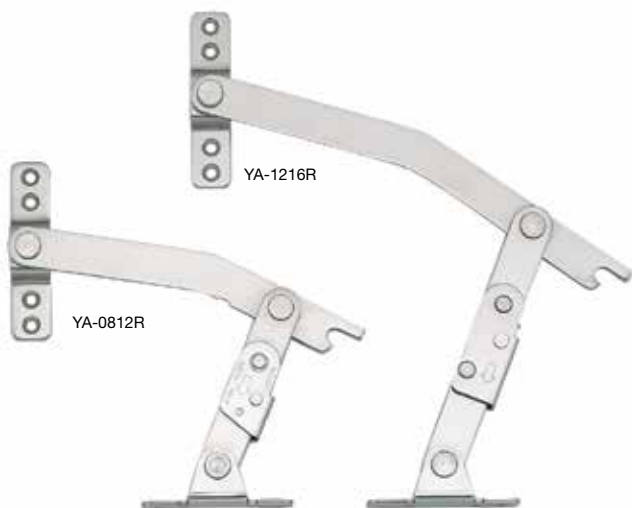


DOOR HOLDER

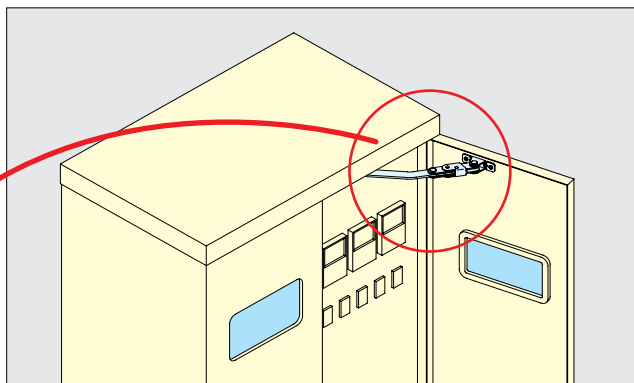
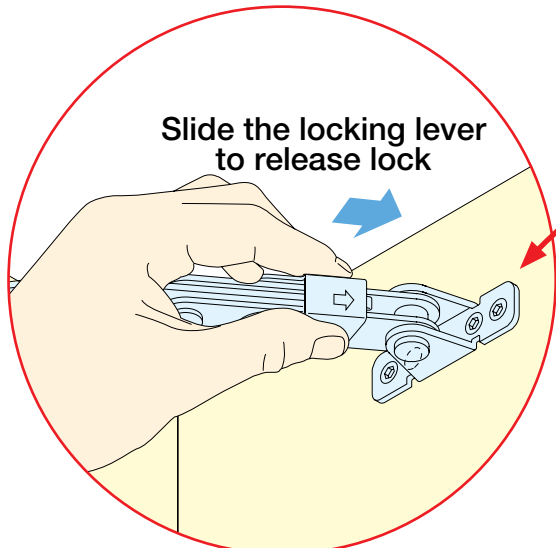
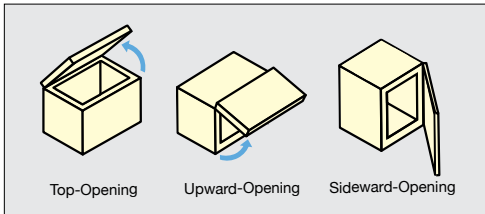
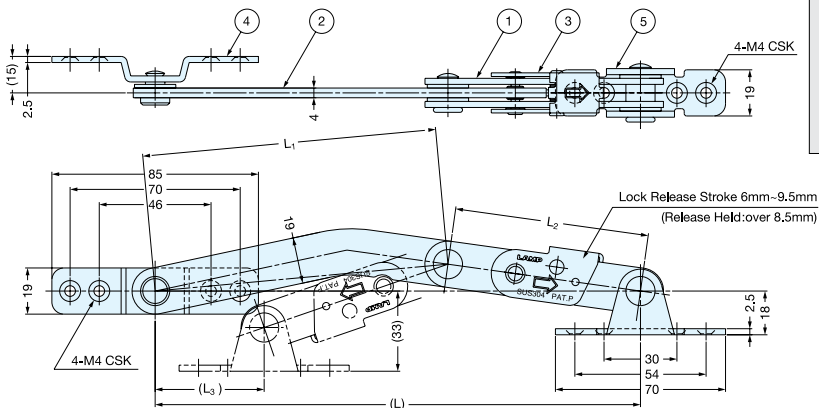
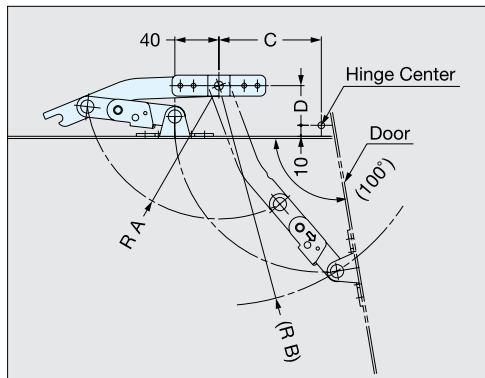


YA-0812, 1216

DOOR HOLDER LID SUPPORTS



- Automatically locks door when fully opened.
- Slide the locking lever to release lock. Lever will keep the unlocked position until the door is moved, for easy handling.
- Non-Handed: Can be installed on left or right side.



No.	Part Name	Material	Finish
①	Outer Plate	304 Stainless Steel	Polished
②	Arm		
③	Slide Grip		
④	Arm Bracket		
⑤	Base Bracket		

Item No.	Type	L	L ₁	L ₂	L ₃	A	B	C	D	Weight (g)	Box (pcs)	Carton (pcs)
YA-0812L	Left	200	121	80	45	121	200	93	36	291	5	30
YA-0812R	Right	(7-7/8")	(4-49/64")	(3-5/32")								
YA-1216L	Left	280	161	120	44	161	280	145	40	340		
YA-1216R	Right	(11-1/32")	(6-11/32")	(4-23/32")								