

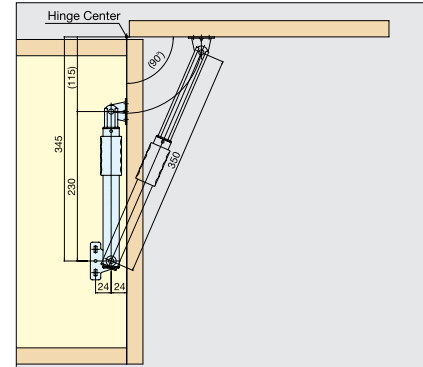
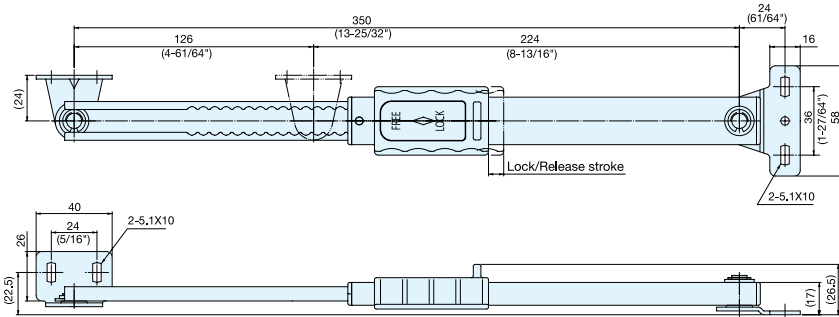
# MULTI-ANGLE LID STAY (W/LOCK)



# L-FS350A



- Locks lid in multiple positions by manually sliding lock lever.
- Slide back lever to lock/unlock.
- Ideal for vibration or shock applications.
- Can be installed individually or in pairs.
- Non-Handed: Can be installed on left or right side.



\*Lid stay must be installed parallel to the sidewall.

Item No.	Load Capacity	Weight (g)	Box (pcs)	Carton (pcs)
L-FS350A	30kg (66 lbs)	325	5	50

Material	Finish/Color
304 Stainless Steel	Satin
Polyacetal	Dark Grey

MULTI-ANGLE LID STAYS

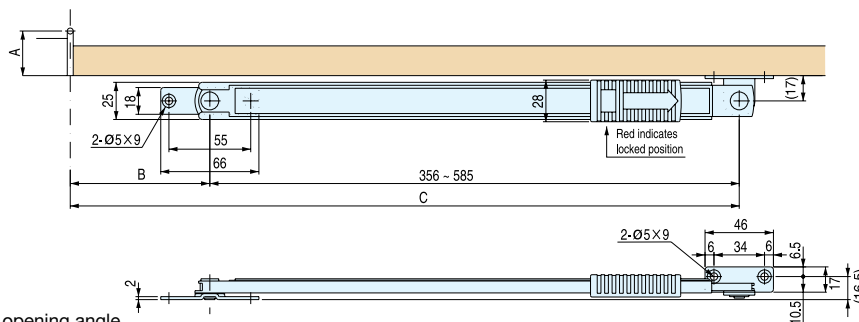
# MULTI-ANGLE LID STAY



# U-3005



- Locks lid in multiple positions by manually sliding lock lever.
- Slide back lever to lock/unlock.
- Ideal for vibration or shock applications.
- Can be installed individually or in pairs.
- Non-Handed: Can be installed on left or right side.
- Door opening angle : 100° maximum
- Recommended door size  
Height – Max. 2,000 mm (78-3/4")  
Width – 600-910 mm (23-5/8"~35-53/64")  
Thickness – 25-45 mm (1"~1-3/4")



A, B and C dimensions are for 90° door opening angle

A	30 ( 1-11/64" )	35 ( 1-3/8" )	40 ( 1-37/64" )	45 ( 1-49/64" )	50 ( 1-31/32" )
B	160 ( 6-19/64" )	160 ( 6-19/64" )	160 ( 6-19/64" )	160 ( 6-19/64" )	155 ( 6-3/32" )
C	525 ( 20-49/64" )	520 ( 20-15/32" )	515 ( 20-9/32" )	510 ( 20-5/64" )	505 ( 19-7/8" )

Item No.	Weight (g)	Box (pcs)	Carton (pcs)
U-3005	338	6	60

Material	Finish/Color
304 Stainless Steel	Satin
Polyacetal	-